



Count on it.

Operator's Manual

**Groundsmaster® 4500-D and
4700-D Traction Units**

Model No. 30881—Serial No. 314000001 and Up
Model No. 30881A—Serial No. 314000001 and Up
Model No. 30882—Serial No. 314000001 and Up
Model No. 30882A—Serial No. 314000001 and Up



This product complies with all relevant European directives, for details please see the separate product specific Declaration of Conformity (DOC) sheet.

▲ WARNING

CALIFORNIA Proposition 65 Warning

This product contains a chemical or chemicals known to the State of California to cause cancer, birth defects, or reproductive harm.

Diesel engine exhaust and some of its constituents are known to the State of California to cause cancer, birth defects, and other reproductive harm.

Because in some areas there are local, state, or federal regulations requiring that a spark arrester be used on the engine of this machine, a spark arrester is incorporated with the muffler assembly.

Genuine Toro spark arresters are approved by the USDA Forestry Service.

Important: This engine is equipped with a spark arrester muffler. It is a violation of California Public Resource Code Section 4442 to use or operate the engine on any forest-covered, brush-covered, or grass-covered land without a spark arrester muffler maintained in working order, or the engine constricted, equipped, and maintained for the prevention of fire. Other states or federal areas may have similar laws.

This spark ignition system complies with Canadian ICES-002

The enclosed *Engine Owner's Manual* is supplied for information regarding the US Environmental Protection Agency (EPA) and the California Emission Control Regulation of emission systems, maintenance, and warranty. Replacements may be ordered through the engine manufacturer.

Introduction

This machine is a ride-on, rotary-blade lawnmower intended to be used by professional, hired operators in commercial applications. It is primarily designed for cutting grass on well-maintained lawns in parks, golf courses, sports fields, and commercial grounds. It is not designed for cutting brush, mowing grass and other growth alongside highways, or for agricultural uses.

Read this information carefully to learn how to operate and maintain your product properly and to avoid injury and product damage. You are responsible for operating the product properly and safely.

You may contact Toro directly at www.Toro.com for product and accessory information, help finding a dealer, or to register your product.

Whenever you need service, genuine Toro parts, or additional information, contact an Authorized Service Dealer or Toro Customer Service and have the model and serial numbers of your product ready. [Figure 1](#) identifies the location of the model and serial numbers on the right front frame of the product. Write the numbers in the space provided.

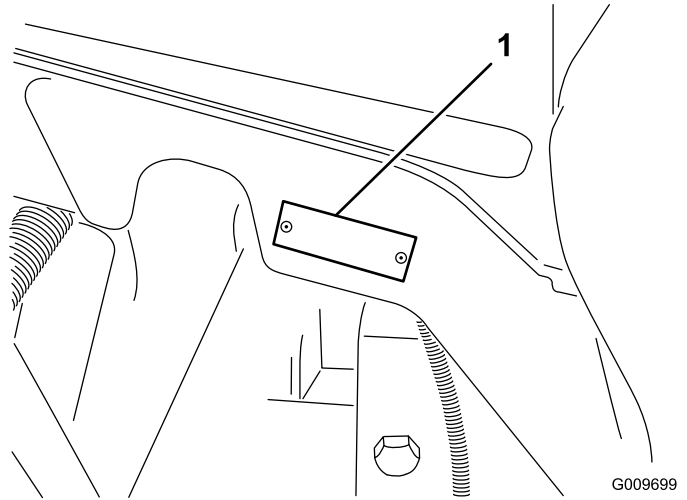


Figure 1

1. Model and serial number location

Model No. _____

Serial No. _____

This manual identifies potential hazards and has safety messages identified by the safety-alert symbol ([Figure 2](#)), which signals a hazard that may cause serious injury or death if you do not follow the recommended precautions.



Figure 2

1. Safety-alert symbol.

This manual uses 2 words to highlight information.

Important calls attention to special mechanical information and **Note** emphasizes general information worthy of special attention.

Contents

Safety	4	Servicing the Diesel Oxidation Catalyst (DOC)	41
Safe Operating Practices	4	Fuel System Maintenance	41
Toro Riding Mower Safety	6	Draining the Fuel Tank	41
Sound Power Level	7	Checking the Fuel Lines and Connections	41
Sound Pressure Level	7	Servicing the Water Separator	41
Vibration Level	7	Servicing the Fuel Filter	42
Engine Emission Certification	7	Fuel Pick-up Tube Screen	42
Safety and Instructional Decals	8	Electrical System Maintenance	43
Setup	12	Charging and Connecting the Battery	43
1 Installing the Hood Latch (CE Only)	13	Battery Care	44
2 Adjusting the Height of Cut	13	Fuses	44
3 Adjusting the Roller Scraper (Optional)	14	Drive System Maintenance	45
4 Installing the Mulching Baffle (Optional)	14	Checking the Torque of the Wheel Nuts	45
5 Greasing the Machine	15	Checking the Planetary Gear Drive Oil	45
6 Checking Fluid Levels	15	Changing the Planetary Gear Drive Oil	46
Product Overview	16	Checking the Rear Axle Lubricant	46
Controls	16	Changing the Rear Axle Lubricant	46
Protected Menus	21	Checking the Rear Wheel Toe-In	47
Specifications	23	Cooling System Maintenance	48
Attachments/Accessories	23	Servicing the Engine Cooling System	48
Operation	24	Brake Maintenance	49
Think Safety First	24	Adjusting the Service Brakes	49
Checking the Engine-Oil Level	24	Belt Maintenance	49
Checking the Cooling System	25	Servicing the Alternator Belt	49
Filling the Fuel Tank	25	Hydraulic System Maintenance	50
Checking the Hydraulic-Fluid Level	27	Changing the Hydraulic Fluid	50
Checking the Tire Pressure	27	Replacing the Hydraulic Filters	50
Starting and Stopping the Engine	27	Checking the Hydraulic Lines and Hoses	50
Smart Power	28	Cutting Deck Maintenance	51
Reversing Fan Operation	28	Separating the Cutting Decks from the Traction Unit	51
Auto Idle	28	Mounting the Cutting Decks to the Traction Unit	52
Engine-Speed Switch	28	Servicing the Blade Plane	52
Mow Speed	28	Servicing the Cutter Blade	53
Transport Speed	29	Servicing the Front Roller	54
Counterbalance	29	Storage	55
Checking the Interlock Switches	29	Preparing the Traction Unit	55
Pushing or Towing the Machine	29	Preparing the Engine	55
Jacking Points	30	Cutting Deck	55
Transporting the Machine	30		
Loading the Machine	30		
Operating Characteristics	31		
Selecting a Blade	31		
Choosing Accessories	32		
Operating Tips	33		
Maintenance	34		
Recommended Maintenance Schedule(s)	34		
Daily Maintenance Checklist	35		
Service Interval Chart	36		
Pre-maintenance Procedures	37		
Removing the Hood	37		
Lubrication	37		
Greasing the Bearings and Bushings	37		
Engine Maintenance	39		
Servicing the Air Cleaner	39		
Servicing the Engine Oil and Filter	40		
Servicing the Diesel Particulate Filter (DPF)	40		

Safety

This machine meets or exceeds CEN standard EN 836:1997 (when appropriate decals applied), and ANSI B71.4-2012 specifications in effect at the time of production.

Improper use or maintenance by the operator or owner can result in injury. To reduce the potential for injury, comply with these safety instructions and always pay attention to the safety-alert symbol, which means Caution, Warning, or Danger—personal safety instruction. Failure to comply with the instruction may result in personal injury or death.

Safe Operating Practices

This machine has been designed in accordance with ANSI B71.4-2012.

Training

- Read the *Operator's Manual* and other training material carefully. Be familiar with the controls, safety signs, and the proper use of the equipment.
- If the operator or mechanic can not read the language of this manual, it is the owner's responsibility to explain this material to them.
- Never allow children or people unfamiliar with these instructions to use or service the mower. Local regulations may restrict the age of the operator.
- Never mow while people, especially children, or pets are nearby.
- Keep in mind that the operator or user is responsible for accidents or hazards occurring to other people or their property.
- Do not carry passengers.
- All drivers and mechanics should seek and obtain professional and practical instruction. The owner is responsible for training the users. Such instruction should emphasize:
 - The need for care and concentration when working with ride-on machines;
 - Applying the brake does not regain control of a ride on machine that is sliding on a slope. The main reasons for loss of control are:
 - ◇ Insufficient wheel grip
 - ◇ Being driven too fast
 - ◇ Inadequate braking
 - ◇ The type of machine is unsuitable for the task
 - ◇ Lack of awareness of the effect of ground conditions, especially slopes
- The owner/user can prevent and is responsible for accidents or injuries occurring to people or damage to property.

Preparation

- While mowing, always wear substantial, slip-resistant footwear, long trousers, safety glasses, and hearing protection. Long hair, loose clothing, or jewelry may get tangled in moving parts. Do not operate the equipment when barefoot or wearing open sandals.
- Thoroughly inspect the area where the equipment is to be used and remove all objects which may be thrown by the machine.
- Replace faulty silencers/mufflers.
- Evaluate the terrain to determine what accessories and attachments are needed to properly and safely perform the job.
- Check that operator's presence controls, safety switches, and shields are attached and functioning properly. Do not operate unless they are functioning properly.

Safe Handling of Fuels

- To avoid personal injury or property damage, use extreme care in handling gasoline. Gasoline is extremely flammable and the vapors are explosive.
- Extinguish all cigarettes, cigars, pipes, and other sources of ignition.
- Use only an approved fuel container.
- Never remove fuel cap or add fuel with the engine running.
- Allow engine to cool before refueling.
- Never refuel the machine indoors.
- Never store the machine or fuel container where there is an open flame, spark, or pilot light such as on a water heater or on other appliances.
- Never fill containers inside a vehicle or on a truck or trailer bed with a plastic liner. Always place containers on the ground away from your vehicle before filling.
- Remove equipment from the truck or trailer and refuel it on the ground. If this is not possible, then refuel such equipment with a portable container, rather than from a fuel dispenser nozzle.
- Keep the nozzle in contact with the rim of the fuel tank or container opening at all times until fueling is complete. Do not use a nozzle lock open device.
- If fuel is spilled on clothing, change clothing immediately.
- Never overfill fuel tank. Replace fuel cap and tighten securely.

Operation

- Do not operate the engine in a confined space where dangerous carbon monoxide and other exhaust gasses can collect.
- Mow only in daylight or in good artificial light.

- Before attempting to start the engine, disengage all blade attachment clutches and engage the parking brake.
- Do not put hands or feet near or under rotating parts. Keep clear of the discharge opening at all times.
- Remember there is no such thing as a safe slope. Travel on grass slopes requires particular care. To help guard against overturning:
 - Do not stop or start suddenly when going up or downhill.
 - Machine speeds should be kept low on slopes and during tight turns.
 - Stay alert for humps and hollows and other hidden hazards.
 - Never mow across the face of the slope, unless the mower is designed for this purpose.
 - Use counterweight(s) or wheel weights when suggested in the *Operator's Manual*.

- Watch out for traffic when crossing or near roadways.
- Stop the blades from rotating before crossing surfaces other than grass.
- Never operate the machine with damaged guards, shields, or without safety protective devices in place. Be sure all interlocks are attached, adjusted properly, and functioning properly.
- Before leaving the operator's position:
 - Stop on level ground
 - Disengage the power takeoff and lower the attachments
 - Set the parking brake
 - Stop the engine and remove the key

Important: Allow engine to idle for 5 minutes before shutting it off after a full load operation. Failure to do so may lead to turbo-charger trouble.

- Stop the engine
 - Before refuelling
 - Before making height adjustment
 - Before clearing blockages
 - Before checking, cleaning or working on the mower
 - After striking a foreign object or if an abnormal vibration occurs. Inspect the mower for damage and make repairs before restarting and operating the equipment.
- Reduce the engine speed setting during engine run-out.
- Keep hands and feet away from the cutting units.
- Look behind and down before backing up to be sure of a clear path.
- Slow down and use caution when making turns and crossing roads and sidewalks. Stop blades from rotating.
- Be aware of the mower discharge direction and do not point it at anyone.

- Do not operate the mower under the influence of alcohol or drugs
- Lightning can cause severe injury or death. If lightning is seen or thunder is heard in the area, do not operate the machine; seek shelter.
- Use care when loading or unloading the machine into a trailer or truck
- Use care when approaching blind corners, shrubs, trees, or other objects that may obscure vision.

Maintenance and Storage

- Keep all nuts, bolts, and screws tight to be sure the equipment is in safe working condition.
- Never store the equipment with fuel in the tank inside a building where fumes may reach an open flame or spark.
- Allow the engine to cool before storing in any enclosure.
- To reduce the fire hazard, keep the engine, silencer/muffler, battery compartment, and fuel storage area free of grass, leaves, or excessive grease.
- Keep all parts in good working condition and all hardware and hydraulic fittings tightened. Replace all worn or damaged parts and decals.
- Drain the fuel tank outdoors.
- Be careful during adjustment of the machine to prevent entrapment of the fingers between moving blades and fixed parts of the machine.
- On multi-spindle mowers, take care as rotating one blade can cause other blades to rotate.
- Disengage drives, lower the cutting units, set the parking brake, turn the key in the ignition switch to the OFF position, and remove ignition key. Wait for all movement to stop before adjusting, cleaning or repairing.
- Clean grass and debris from cutting units, drives, silencers/mufflers, and engine to help prevent fires. Clean up oil or fuel spillage.
- Use jack stands to support components when required.
- Carefully release pressure from components with stored energy.
- Disconnect battery before making any repairs. Disconnect the negative terminal first and the positive last. Reconnect positive first and negative last.
- Use care when checking the blades. Wear gloves and use caution when servicing them.
- Keep hands and feet away from moving parts. If possible, do not make adjustments with the engine running.
- Charge batteries in an open well ventilated area, away from spark and flames. Unplug charger before connecting or disconnecting from battery. Wear protective clothing and use insulated tools.
- Store the machine with the cutting units in the lowered position or secure the wing decks with the storage latches to prevent them from unintentionally lowering.

Hauling

- Use care when loading or unloading the machine into a trailer or truck.
- Use full width ramps for loading machine into trailer or truck.
- Tie the machine down securely using straps, chains, cable, or ropes. Both front and rear straps should be directed down and outward from the machine

Toro Riding Mower Safety

This product is capable of amputating hands and feet and throwing objects. Always follow all safety instructions to avoid serious injury or death.

Use of this product for purposes other than its intended use could prove dangerous to user and bystanders.

▲ WARNING

Engine exhaust contains carbon monoxide, which is an odorless, deadly poison that can kill you.

Do not operate the engine in a confined space where dangerous carbon monoxide and other exhaust gases can collect.

- Know how to stop the engine quickly.
- Do not operate the machine while wearing tennis shoes or sneakers.
- Wear safety shoes and long pants. This is required by some local ordinances and insurance regulations.
- Handle fuel carefully. Wipe up any spills.
- Check the safety-interlock switches daily for proper operation. If a switch fails, replace it before operating the machine.
- Before starting the engine, sit on the seat.
- Do the following to prevent loss of control:
 - Do not drive close to sand traps, ditches, creeks, embankments, or other hazards.
 - Reduce speed when making sharp turns. Avoid sudden stops and starts.
 - When near or crossing roads, always yield the right-of-way.
 - Apply the service brakes when going downhill to keep forward speed slow and to maintain control of the machine.
- When operating a machine with ROPS (rollover protection system) never remove the ROPS and always use the seat belt.
- Raise the cutting units when driving from 1 work area to another.

- Do not touch the engine, silencer/muffler, or exhaust pipe while the engine is running or soon after it has stopped because these areas could be hot enough to cause burns.
- On any hill, there is the possibility of tipping or rolling over, but the risk increases as the slope angle increases. Steep hills should be avoided.

Cutting units must be lowered when going down slopes to maintain steering control

- Engage traction drive slowly, always keep your foot on the traction pedal, especially when traveling downhill.
Use reverse on traction pedal for braking.
- If the machine stalls when climbing a slope, do not turn the machine around. Always back slowly, straight down the slope.
- When a person or pet appears unexpectedly in or near the mowing area, stop mowing. Do not resume mowing until the area is cleared.

Maintenance and Storage

- Make sure that all hydraulic line connectors are tight and all hydraulic hoses and lines are in good condition before applying pressure to the system.
- Keep your body and hands away from pin hole leaks or nozzles that eject hydraulic fluid under high pressure. Use paper or cardboard, not your hands, to search for leaks. Hydraulic fluid escaping under pressure can have sufficient force to penetrate the skin and cause serious injury. Seek immediate medical attention if fluid is injected into skin.
- Before disconnecting or performing any work on the hydraulic system, all pressure in the system must be relieved by stopping the engine and lowering the cutting units and attachments to the ground.
- Check all fuel lines for tightness and wear on a regular basis. Tighten or repair them as needed.
- If the engine must be running to perform a maintenance adjustment, keep hands, feet, clothing, and any parts of the body away from the cutting units, attachments, and any moving parts.
- To ensure that safety and accuracy are met, have your Toro Distributor check the maximum engine speed with a tachometer.
- For major repairs, warranty work, updates to the system, and assistance, contact your Toro Distributor.
- To ensure optimum performance and continued safety certification of the machine, use only genuine Toro replacement parts and accessories. Replacement parts and accessories made by other manufacturers could be dangerous, and such use could void the product warranty.

Sound Power Level

Groundsmaster 4500

This unit has a guaranteed sound power level of 105 dBA, which includes an Uncertainty Value (K) of 0.7 dBA.

Sound power level was determined according to the procedures outlined in ISO 11094.

Groundsmaster 4700

This unit has a guaranteed sound power level of 105 dBA, which includes an Uncertainty Value (K) of 0.7 dBA.

Sound power level was determined according to the procedures outlined in ISO 11094.

Sound Pressure Level

Groundsmaster 4500

This unit has a sound pressure level at the operator's ear of 90 dBA, which includes an Uncertainty Value (K) of 0.7 dBA.

Sound pressure level was determined according to the procedures outlined in EN 836.

Groundsmaster 4700

This unit has a sound pressure level at the operator's ear of 90 dBA, which includes an Uncertainty Value (K) of 0.7 dBA.

Sound pressure level was determined according to the procedures outlined in EN 836.

Vibration Level

Hand-Arm

Measured vibration level for right hand = 0.6 m/s²

Measured vibration level for left hand = 0.7 m/s²

Uncertainty Value (K) = 0.3 m/s²

Measured values were determined according to the procedures outlined in EN 836.

Whole Body

Measured vibration level = .2 m/s²

Uncertainty Value (K) = 0.1 m/s²

Measured values were determined according to the procedures outlined in EN 836.

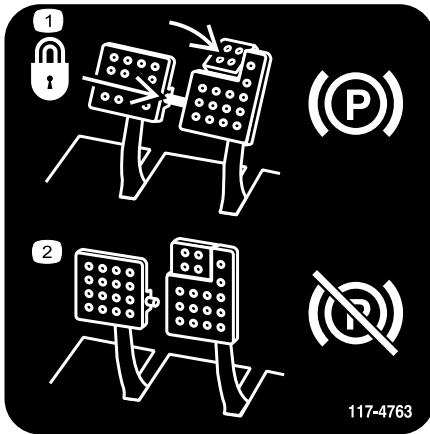
Engine Emission Certification

The engine in this machine is EPA Tier 4 Final and stage 3b compliant.

Safety and Instructional Decals

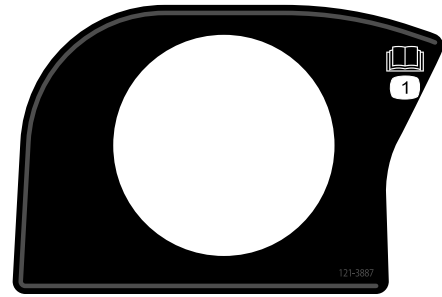


Safety decals and instructions are easily visible to the operator and are located near any area of potential danger. Replace any decal that is damaged or lost.



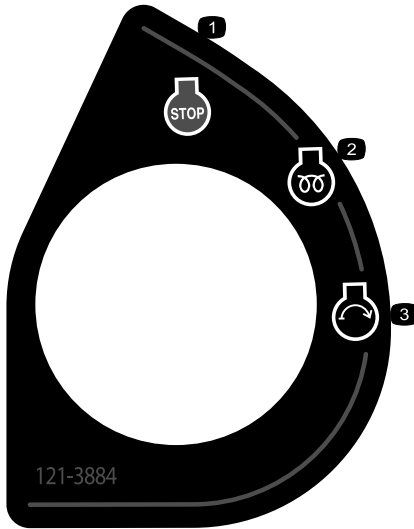
117-4763

1. To engage the parking brake, secure the brake pedals with the locking pin, press the parking brake pedals, and engage the toe pedal.
2. To disengage the parking brake, disengage the locking pin and release the pedals.



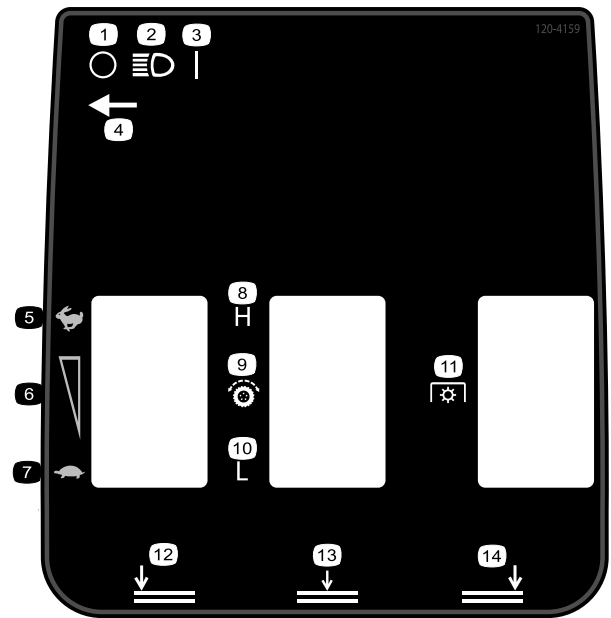
121-3887

1. Read the *Operator's Manual*.



121-3884

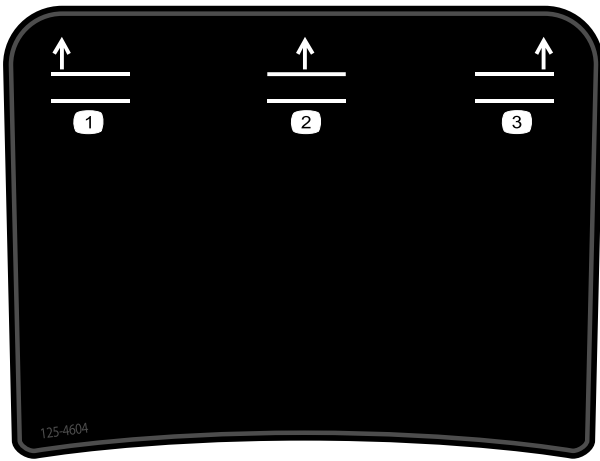
1. Engine—stop
2. Engine—preheat
3. Engine—start



120-4159

Groundsmaster 4700 Shown

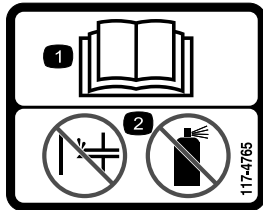
- | | |
|------------------------------|-------------------------|
| 1. Off | 8. High |
| 2. Lights | 9. Traction drive |
| 3. On | 10. Low |
| 4. Light switch location | 11. Power takeoff (PTO) |
| 5. Fast | 12. Lower left deck |
| 6. Variable speed adjustment | 13. Lower center deck |
| 7. Slow | 14. Lower right deck |



125-4604

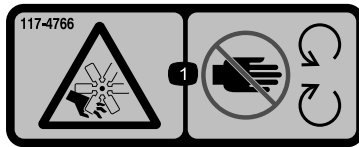
Groundsmaster 4700 Shown

1. Raise left deck
2. Raise center deck
3. Raise right deck



117-4765

1. Read the *Operator's Manual*.
2. Do not use starting aids.



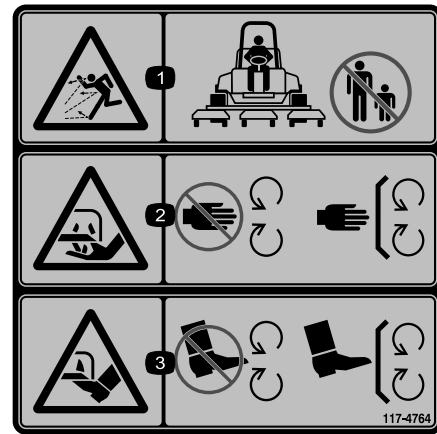
117-4766

1. Cutting/dismemberment hazard; fan—stay away from moving parts, keep all guards and shields in place.



106-6755

1. Engine coolant under pressure.
2. Explosion hazard—read the *Operator's Manual*.
3. Warning—do not touch the hot surface.
4. Warning—read the *Operator's Manual*.



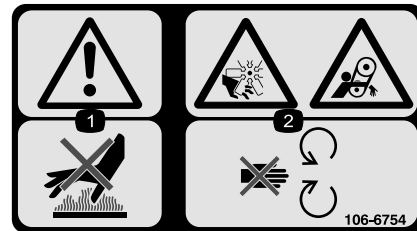
117-4764

1. Thrown object hazard—keep bystanders a safe distance from the machine.
2. Cutting hazard of hand, mower blade—stay away from moving parts, keep all guards and shields in place.
3. Cutting hazard of foot, mower blade—stay away from moving parts, keep all guards and shields in place.



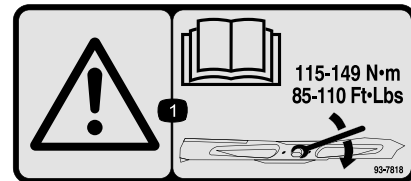
98-4387

1. Warning—wear hearing protection.



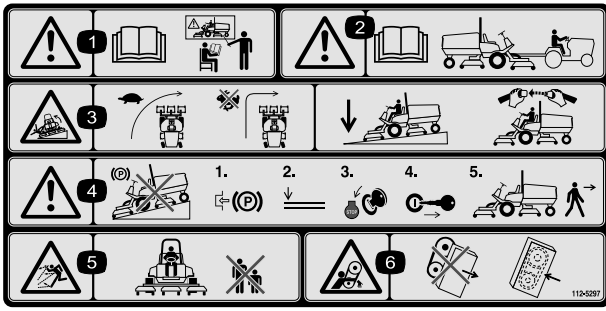
106-6754

1. Warning—do not touch the hot surface.
2. Cutting/dismemberment hazard, fan and entanglement hazard, belt—stay away from moving parts.



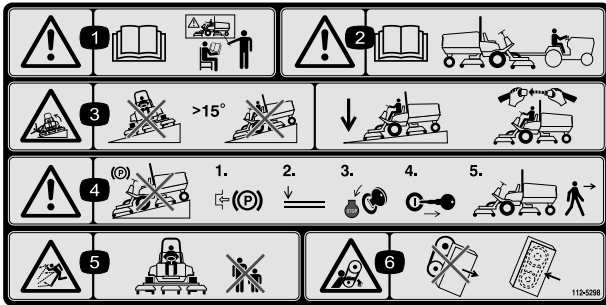
93-7818

1. Warning—read the *Operator's Manual* for instructions on torquing the blade bolt/nut to 115 to 149 N·m (85 to 110 ft·lb).



112-5297

1. Warning—read the *Operator's Manual*, do not operate this machine unless you are trained.
2. Warning—read the *Operator's Manual* before towing the machine.
3. Tipping hazard—slow machine before turning, do not turn at high speeds; lower the cutting unit when driving down slopes; use a rollover protection system and wear the seat belt
4. Warning—do not park the machine on slopes; engage the parking brake, lower the cutting units, stop the engine, and remove the ignition key before leaving the machine.
5. Thrown object hazard—keep bystanders a safe distance from the machine.
6. Entanglement hazard, belt—stay away from moving parts, keep all guards and shields in place.

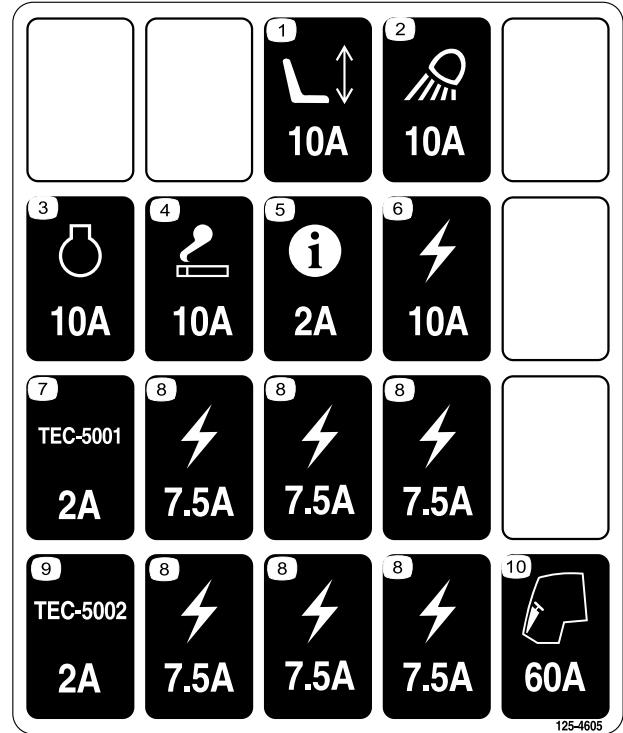


112-5298

(Place over Part Number 112-5297 for CE*)

* This safety decal includes a slope warning required on the machine for compliance to the European Lawn Mower Safety Standard EN836:1997. The conservative maximum slope angles indicated for operation of this machine are prescribed by and required by this standard.

1. Warning—read the *Operator's Manual*, do not operate this machine unless you are trained.
2. Warning—read the *Operator's Manual* before towing the machine.
3. Tipping hazard—do not operate on slopes greater than 15°; lower the cutting units when operating on slopes; wear the safety belt.
4. Warning—do not park the machine on slopes; engage the parking brake, lower the cutting units, stop the engine, and remove the ignition key before leaving the machine.
5. Thrown object hazard—keep bystanders a safe distance from the machine.
6. Entanglement hazard, belt—stay away from moving parts, keep all guards and shields in place.



125-4605

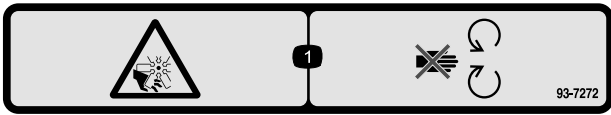
- | | |
|---------------------------|-------------------------|
| 1. Power seat, 10A | 6. Power supplied, 10A |
| 2. Work light, 10A | 7. TEC-5001, 2A |
| 3. Engine, 10A | 8. Power supplied, 7.5A |
| 4. Cigarette lighter, 10A | 9. TEC-5002, 2A |
| 5. Infocenter, 2A | 10. Cab, 60A |



Battery Symbols

Some or all of these symbols are on your battery

- | | |
|--|--|
| 1. Explosion hazard | 6. Keep bystanders a safe distance from the battery. |
| 2. No fire, open flame, or smoking. | 7. Wear eye protection; explosive gases can cause blindness and other injuries |
| 3. Caustic liquid/chemical burn hazard | 8. Battery acid can cause blindness or severe burns. |
| 4. Wear eye protection | 9. Flush eyes immediately with water and get medical help fast. |
| 5. Read the <i>Operator's Manual</i> . | 10. Contains lead; do not discard. |



93-7272

1. Cutting/dismemberment hazard; fan—stay away from moving parts.

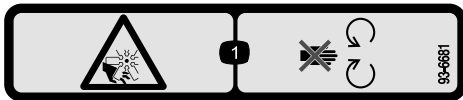
CALIFORNIA SPARK ARRESTER WARNING

Operation of this equipment may create sparks that can start fires around dry vegetation. A spark arrester may be required. The operator should contact local fire agencies for laws or regulations relating to fire prevention requirements. 117-2718

117-2718

IMPORTANT	ATTENTION
THIS PRODUCT MAY CAUSE BATTERY DRAIN. PLEASE CONSULT THE OPERATOR'S MANUAL FOR MORE INFORMATION.	CE PRODUIT PEUT DECHARGER LA BATTERIE. MERCI DE CONSULTER LE MANUEL UTILISATEUR POUR PLUS DE DETAILS.

112-5019



93-6681

1. Cutting/dismemberment—hazard, fan—stay away from moving parts.

GROUNDMASTER 4500/4700
QUICK REFERENCE AID

CHECK/SERVICE (DAILY)

1. ENGINE OIL LEVEL
2. HYDRAULIC OIL FLUID LEVEL
3. ENGINE COOLANT LEVEL
4. FUEL - DIESEL ONLY
5. FUEL/WATER SEPARATOR
6. RADIATOR SCREEN
7. AIR CLEANER
8. BRAKE FUNCTION
9. TIRE PRESSURE: 20 PSI/1.40 BAR
WHEEL NUT TORQUE: 93 FT/LB (127 N·m)

CHECK/SERVICE (SEE OPERATOR'S MANUAL)

10. BATTERY
11. BELTS (FAN, ALT)
12. PLANETARY GEAR DRIVE
13. INTERLOCK SYSTEM
14. REAR AXLE
15. ENGINE OIL DRAIN
16. GREASING

SPECIFICATIONS/CHANGE INTERVALS

SEE OPERATOR'S MANUAL FOR INITIAL CHANGES	FLUID TYPE	CAPACITY	CHANGE INTERVAL		FILTER PART NO.
			FLUID	FILTER	
① ENGINE OIL	15W-40 CH-4	6 QUARTS	250 HOURS	250 HOURS	125-7025
	15W-40 CH-4	6 QUARTS			
② HYDRAULIC FLUID	ISO VG 46/68	8.25 GALLONS	800 HOURS	800 HOURS	75-1310
③ HYDRAULIC FILTER			800 HOURS		94-2621
④ HYDRAULIC BREATHER			800 HRS/YRLY		115-9793
⑤ FUEL SYSTEM	> 32 F	NO. 2 DIESEL	800 HOURS	400 HOURS/ YEARLY	110-9049 (807)
	< 32 F	NO. 1 DIESEL	22 GALLONS		125-2915 (807/1088)
⑥ ENGINE COOLANT	50% WATER 50% ETHYLENE GLYCOL	9 QUARTS	DRAIN & FLUSH EVERY 2 YRS.		
⑦ PRIMARY AIR FILTER					SEE SERVICE INSTRUCTIONS 108-3814
⑧ SAFETY AIR FILTER					SEE OPERATOR'S MANUAL 108-3816
⑨ REAR AXLE	85W-140	80 OUNCES	800 HOURS		110-4812 (807)
⑩ PLANETARY DRIVE	85W-140	16 OUNCES	800 HOURS		

125-4606

1. Read the *Operator's Manual* for information on maintenance.

3/4" 19mm	1" 25mm	1 1/4" 32mm	1 1/2" 38mm	1 3/4" 44mm	2" 51mm	2 1/4" 57mm
2 1/2" 64mm	2 3/4" 70mm	3" 76mm	3 1/4" 83mm	3 1/2" 89mm	3 3/4" 95mm	4" 102mm

104-1086

1. Height of cut

Setup

Loose Parts

Use the chart below to verify that all parts have been shipped.

Procedure	Description	Qty.	Use
1	Lock bracket	1	Install the Hood Latch (CE).
	Rivet	2	
	Washer	1	
	Screw, 1/4 x 2 inches	1	
	Locknut, 1/4 inch	1	
2	No parts required	–	Adjust the height of cut.
3	No parts required	–	Adjust the roller scraper (Optional).
4	No parts required	–	Install the mulching baffle (Optional).
5	No parts required	–	Grease the machine.
6	No parts required	–	Check the rear axle lubricant, hydraulic fluid, and engine-oil levels.

Media and Additional Parts

Description	Qty.	Use
Warning Decal	6	Affix the CE warning decals over the corresponding English warning decals.
Operator's Manual	1	Read before operating the machine.
Engine Operator's Manual	1	Read before operating the engine.
Parts Catalog	1	Use to reference part numbers.
Operator Training Material	1	View before operating the machine.

Note: Determine the left and right sides of the machine from the normal operating position.

1

Installing the Hood Latch (CE Only)

Parts needed for this procedure:

1	Lock bracket
2	Rivet
1	Washer
1	Screw, 1/4 x 2 inches
1	Locknut, 1/4 inch

Procedure

1. Unhook the hood latch from the hood-latch bracket.
2. Remove the 2 rivets securing the hood-latch bracket to the hood (Figure 3). Remove the hood-latch bracket from the hood.

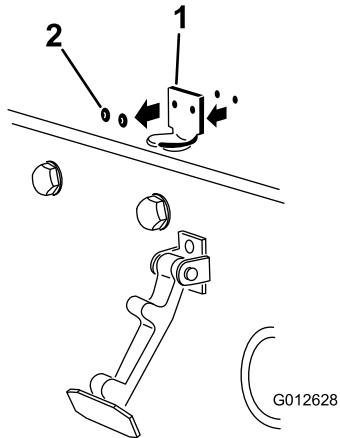


Figure 3

1. Hood-latch bracket
2. Rivets

3. While aligning the mounting holes, position the CE lock bracket and the hood latch bracket onto the hood. The lock bracket must be against the hood (Figure 4). Do not remove the bolt and nut assembly from the lock-bracket arm.

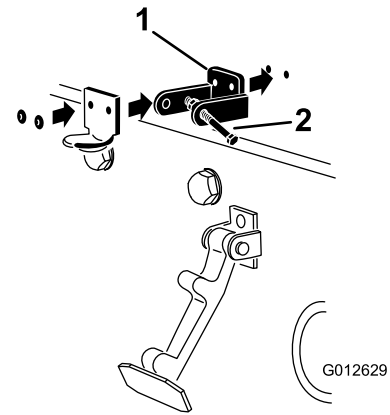


Figure 4

1. CE lock bracket
2. Bolt and nut assembly

4. Align the washers with the holes on the inside of the hood.
5. Rivet the brackets and the washers to the hood (Figure 4).
6. Hook the latch onto the hood-latch bracket (Figure 5).

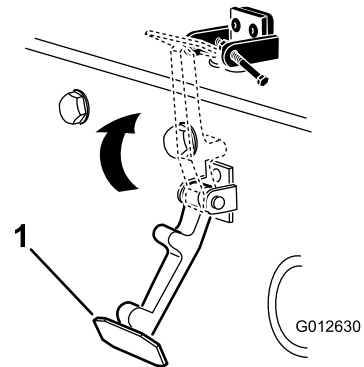


Figure 5

1. Hood latch

7. Screw the bolt into the other arm of hood lock bracket to lock the latch in position (Figure 6). Tighten the bolt but do not tighten the nut.

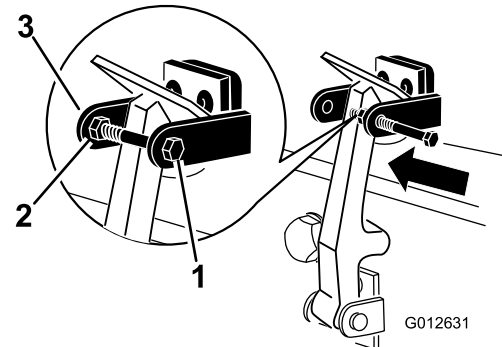


Figure 6

1. Bolt
2. Nut
3. Arm of hood-lock bracket

2

Adjusting the Height of Cut

No Parts Required

Procedure

Important: This cutting deck often cuts approximately 6 mm (1/4 inch) lower than a reel cutting unit with the same bench setting. It may be necessary to have these rotary cutting deck's bench set 6 mm (1/4 inch) above that of reels cutting in the same area.

Important: Access to the rear cutting units is greatly improved by removing the cutting unit from the tractor. If the unit is equipped with a Sidewinder®, sidewind the cutting units to the right, remove the rear cutting unit, and slide it out to the right side.

1. Lower the cutting deck to the ground, turn the key in the ignition switch to the OFF position, and remove the key.
2. Loosen the bolt securing each height-of-cut bracket to the height-of-cut plate (front and each side) (Figure 7).
3. Beginning with front adjustment, remove the bolt.

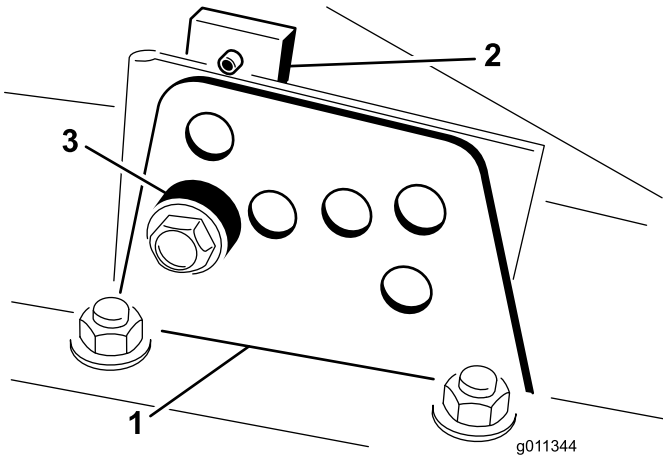


Figure 7

- | | |
|--------------------------|-----------|
| 1. Height-of-cut bracket | 3. Spacer |
| 2. Height-of-cut plate | |

4. While supporting the chamber, remove the spacer (Figure 8).
5. Move the chamber to the desired height-of-cut and install a spacer into the designated height of cut hole and slot (Figure 8).

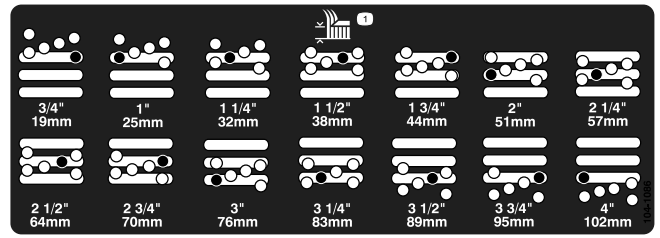


Figure 8

6. Position the tapped plate in-line with the spacer.
7. Install the bolt finger tight.
8. Repeat steps 4 through 7 for each side adjustment.
9. Torque all 3 bolts to 41 N-m (30 ft-lb). Always tighten the front bolt first.

Note: Adjustments of more than 3.8 cm (1-1/2 inches) may require temporary assembly to an intermediate height to prevent binding (e.g. changing from 3.1 to 7 cm (1.25 to 2.75 inches) height of cut).

3

Adjusting the Roller Scraper (Optional)

No Parts Required

Procedure

The optional rear roller scraper is designed to work best when there is an even gap of 0.5 to 1 mm (0.020 to 0.040 inch) between the scraper and roller.

1. Loosen the grease fitting and the mounting screw (Figure 9).

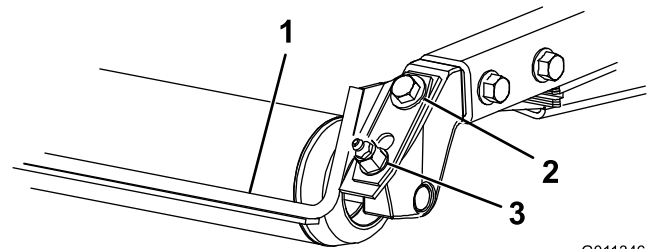


Figure 9

- | | |
|-------------------|-------------------|
| 1. Roller scraper | 3. Grease fitting |
| 2. Mounting screw | |

2. Slide the scraper up or down until a gap of 0.5 to 1 mm (0.020 to 0.040 inch) is achieved between the rod and the roller.
3. Secure the grease fitting and torque to 41 N-m (30 ft-lb) in an alternating sequence.

4

Installing the Mulching Baffle (Optional)

No Parts Required

Procedure

1. Thoroughly clean debris from the mounting holes on the rear wall and left side wall of the chamber.
2. Install the mulching baffle in the rear opening and secure it with 5 flange head bolts (Figure 10).

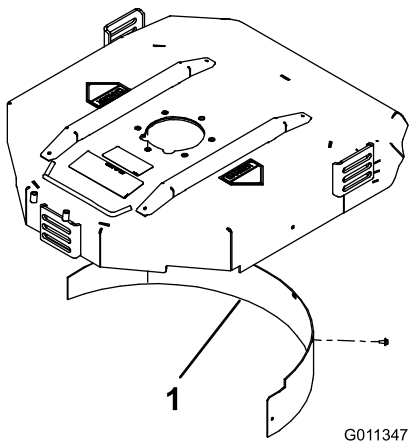


Figure 10

1. Mulching baffle

-
3. Verify that mulching baffle does not interfere with the tip of the blade and does not protrude inside the surface of the rear chamber wall.

⚠ WARNING

Do not use the high lift blade with the mulching baffle. The blade could break, resulting in personal injury or death.

5

Greasing the Machine

No Parts Required

Procedure

Grease the machine before operating to ensure that it is properly lubricated. Refer to (page). Failure to properly grease the machine results in premature failure of critical parts.

6

Checking Fluid Levels

No Parts Required

Procedure

1. Check the rear axle lubricant level before the engine is first started; refer to (page).
2. Check the hydraulic-fluid level before the engine is first started; refer to (page).
3. Check the engine-oil level before and after the engine is first started; refer to (page).

Product Overview

Controls

Brake Pedals

2 foot pedals (Figure 11) operate individual wheel brakes for turning assistance and to aid in obtaining better side hill traction.

Pedal-Locking Latch

The pedal-locking latch (Figure 11) connects the pedals together to engage the parking brake.

Parking-Brake Pedal

To engage the parking brake, (Figure 11) connect the pedals together with the pedal-locking latch, push down on the right brake pedal while engaging the toe pedal. To release the parking brake, press 1 of the brake pedals until the parking brake-latch retracts.

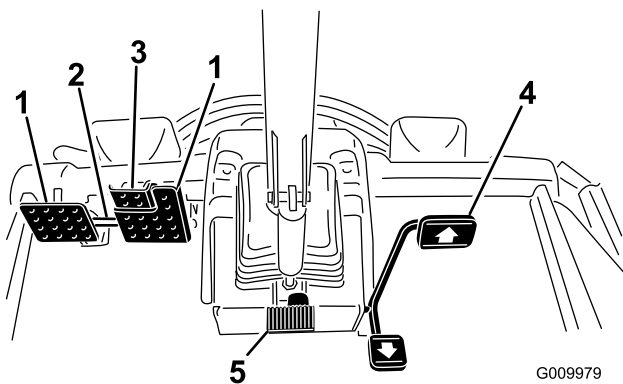


Figure 11

- | | |
|------------------------|------------------------|
| 1. Brake pedal | 4. Traction pedal |
| 2. Pedal-locking latch | 5. Tilt-steering pedal |
| 3. Parking-brake pedal | |

Traction Pedal

The traction pedal (Figure 11) controls forward and reverse operation. Depress the top of the pedal to move forward and the bottom to move backward.

To stop, reduce your foot pressure on the traction pedal and allow it to return to the center position.

Tilt-Steering Pedal

To tilt the steering wheel towards you, press the foot pedal (Figure 11) down, and pull the steering tower toward you to the most comfortable position and then release the pedal.

Key Switch

The key switch (Figure 12) has 3 positions: OFF, ON/PREHEAT, and START.

PTO Switch

The PTO switch (Figure 12) has 2 positions: Out (start) and In (stop). Pull the PTO button out to engage the cutting unit blades. Push in the button to disengage the cutting unit blades.

Hi-Lo Speed Control

The switch (Figure 12) allows the speed range to increase for transporting the machine. To switch between the Hi and Lo speed ranges, raise the decks, disengage the PTO, put the traction pedal into NEUTRAL, and move the machine at a slow speed..

Note: The cutting decks do not operate and/or cannot be lowered from the transport position when the switch is in the high range.

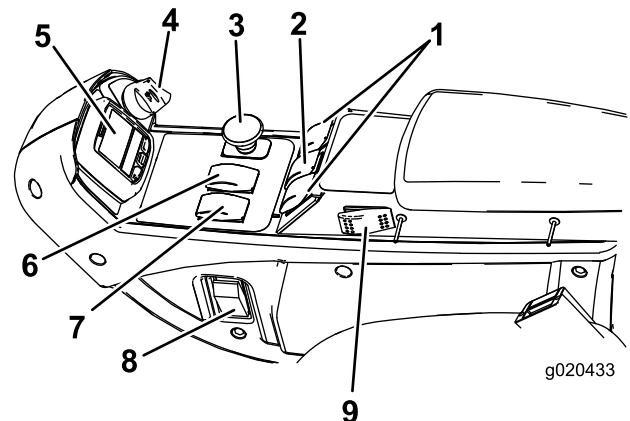


Figure 12

- | | |
|-----------------------------------|------------------------|
| 1. Lift switches (GM 4700 only) | 6. Hi-Lo speed control |
| 2. Lift switch (GM 4500 and 4700) | 7. Engine-speed switch |
| 3. PTO switch | 8. Light switch |
| 4. Key switch | 9. Cruise control |
| 5. InfoCenter | |

Engine-Speed Switch

The engine-speed switch (Figure 12) has 2 modes to change the engine speed. Tap the switch to increase or decrease the engine speed in 100 rpm increments. Hold the switch down to automatically move the engine to High or Low idle, depending on which side of the switch is depressed.

Lift Switches

The lift switches (Figure 12) raise and lower the cutting units. Press the switches forward to lower the cutting units and backward to raise the cutting units. When starting the

machine, with the cutting units in the down position, press the lift switch down to allow the cutting units to float and mow.

Note: The decks do not lower while in the Hi speed range and they do not raise or lower if the operator is out of the seat when the engine is running. To lower the decks for service, rotate the key in the ignition switch to the ON position while sitting in the seat.

Light Switch

Press the lower edge of the switch (Figure 12) to turn on the lights. Press the upper edge of the switch to turn off the lights.

Power Point

The power point (Figure 13) is used to power optional 12 V electrical accessories.

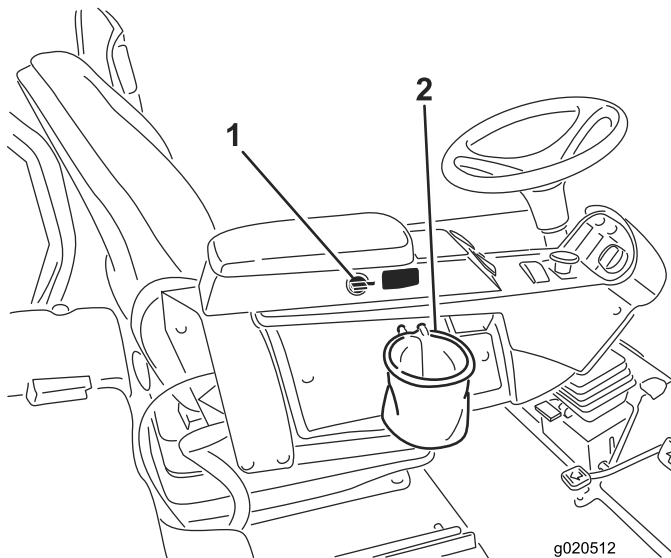


Figure 13

1. Power point
2. Bag holder

Bag Holder

Use the bag holder (Figure 13) for storage.

Seat Adjustments

Fore and Aft Adjusting Lever

Pull out on the lever to slide the seat fore or aft (Figure 14).

Seat Arm Rest Adjusting Knob

Rotate the knob to adjust the seat arm rest angle.

Seat Back Adjusting Lever

Move the lever to adjust the seat back angle (Figure 14).

Weight gauge

Indicates when the seat is adjusted to the weight of the operator (Figure 14). Height adjustment is made by positioning the suspension within the range of the green region.

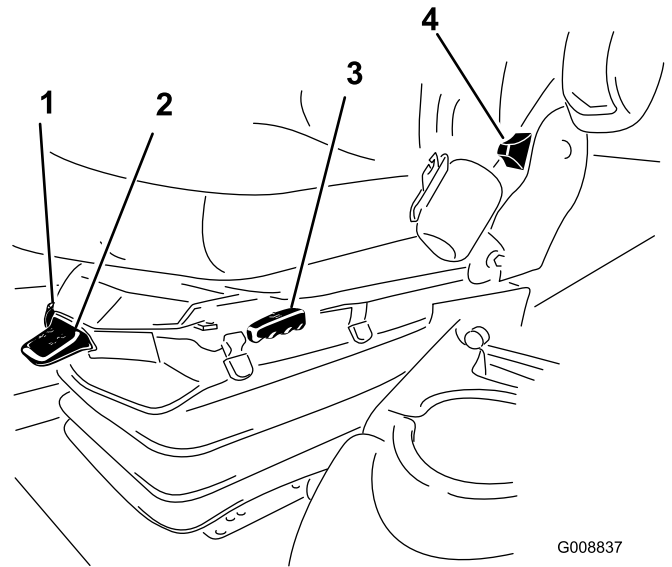


Figure 14

1. Weight gauge
2. Weight-adjusting lever
3. Fore and Aft adjusting lever
4. Seat-back adjusting lever
5. Arm-rest adjusting knob (not shown-located under arm rest)

Weight-Adjusting Lever

Adjust for operator weight (Figure 14). Pull up on the lever to increase the air pressure and push down to decrease the air pressure. The proper adjustment is attained when the weight gauge is in the green region.

Using the InfoCenter LCD Display

The InfoCenter LCD display shows information about your machine such as the operating status, various diagnostics, and other information about the machine (Figure 15). There is a splash screen and a main information screen on the InfoCenter. Press any of the InfoCenter buttons and then select the appropriate directional arrow to switch between the splash screen and the main information screen.

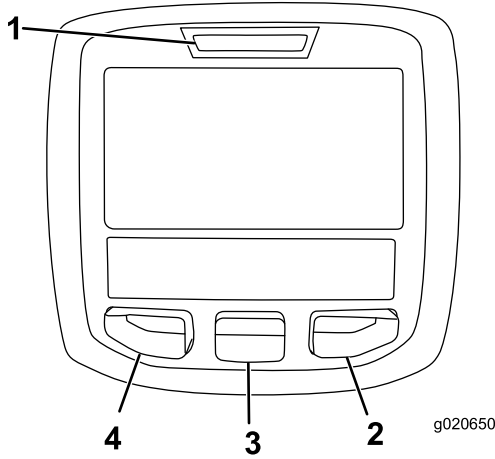


Figure 15

- | | |
|--------------------|------------------|
| 1. Indicator light | 3. Middle button |
| 2. Right button | 4. Left button |












- Left Button (Menu Access/Back Button)—press to access the InfoCenter menus. You can use it to back out of any menu you are currently using.
- Middle Button—press to scroll down menus.
- Right Button—press to open a menu where a right arrow indicates additional content.
- Beeper—activated when lowering the decks or for advisories and faults.

Note: The purpose of each button may change depending on what is required at the time. Each button is labeled with an icon displaying its current function.





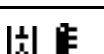


InfoCenter Icon Description

SERVICE DUE	Indicates when scheduled service should be performed
	The status of the engine rpm.
	Info icon
	Maximum traction speed setting
	Fast
	Slow
	The fan is reversed.
	Stationary regeneration is required.
	The air-intake heater is active.
	Raise the left deck.
	Raise the center deck.
	Raise the right deck.
	Sit in the seat.
	The parking brake is on.
H	The range is high.
N	Neutral position
L	The range is low.
	Coolant Temperature (°C or °F)
	Temperature (hot)
	Traction or Traction Pedal
	Not allowed
	Start the engine.
	The PTO is on.

InfoCenter Icon Description (cont'd.)

	Stop the engine.
	Engine
	Key switch
	Cutting units are lowering.
	Cutting units are raising.
PIN	PIN passcode
	Cutting units are raising.
CAN	CAN bus
	InfoCenter
Bad	Bad or failed
Ctr	Center
Rht	Right
Left	Left
	Bulb
OUT	Output of TEC controller or control wire in harness
HI	Over the allowed range
LO	Under the allowed range
HI / LO	Out of range
	Switch
	Operator must release switch.
	Operator should change to indicated state.
Symbols are often combined to form sentences. Some examples are shown below	

InfoCenter Icon Description (cont'd.)

	Operator should put machine in neutral.
	Engine start is denied.
	Engine shutdown
	Engine coolant is too hot.
	Hydraulic oil is too hot.
	DPF ash accumulation notification. Refer to Servicing the Diesel Particulate Filter (DPF) in the maintenance section for details.
	Sit down or set parking brake

Using the Menus

To access the InfoCenter menu system, press the menu access button while at the main screen. This brings you to the main menu. Refer to the following tables for a synopsis of the options available from the menus:

Main Menu	
Menu Item	Description
Faults	Contains a list of the recent machine faults. Refer to the <i>Service Manual</i> or your Toro Distributor for more information on the Faults menu and the information contained there.
Service	Contains information on the machine such as hours of use and other similar numbers.
Diagnostics	Lists various states that the machine currently has. You can use this to troubleshoot certain issues as it quickly tells you which machine controls are on and which are off.
Settings	Allows you to customize and modify configuration variables on the InfoCenter display.
About	Lists the model number, serial number, and software version of your machine.

Service	
Menu Item	Description
Hours	Lists the total number of hours that the machine, engine and fan have been on, as well as the number of hours the machine has been transported and overheated.
Counts	Lists the number of starts, deck PTO cycles, and fan reversals the machine has experienced.

Diagnostics	
Menu Item	Description
Left Deck Center Deck Right Deck Traction Pedal Traction HI/LO Range PTO Engine Run	Refer to the <i>Service Manual</i> or your Toro Distributor for more information on the Engine Run menu and the information contained there.

Settings	
Menu Item	Description
Units	Controls the units used on the InfoCenter (English or Metric).

Language	Controls the language used on the InfoCenter*.
LCD Backlight	Controls the brightness of the LCD display.
LCD Contrast	Controls the contrast of the LCD display.
Protected Menu	Allows the maintenance director to access protected menus by inputting a passcode.
Protect Settings	Allows the ability to change the settings in the protected settings.
Auto Idle	Controls the amount of time allowed before idling the engine when the machine is not in use.
Mow Speed	Controls the maximum speed while in mow (low range).
Trans. Speed	Controls the maximum speed while in transport (high range).
Counterbalance	Controls the amount of counterbalance applied by the decks.

* Only "operator-faced" text is translated. Faults, Service, and Diagnostics screens are "service-faced". Titles are in the selected language, but menu items are in English.

About	
Menu Item	Description
Model	Lists the model number of the machine.
SN	Lists the serial number of the machine.
S/W Rev	Lists the software revision of the master controller.

Protected Menu

There are 5 operating configuration settings that are adjustable within the Settings Menu of the InfoCenter: auto idle, maximum mowing ground speed, maximum transport ground speed, Smart Power, and deck counter balance. These settings are in the Protected Menu.

2. Use the right button to increase the max full mow speed (50%, 75%, or 100%).
3. Use the center button to decrease the max full mow speed (50%, 75%, or 100%).
4. Press the left button to exit.

Accessing the Protected Menu Settings

1. From the Main Menu, scroll down to the Settings Menu and press the right button.
2. In the Settings Menu, scroll down to the Protected Menu and press the right button.
3. To enter the passcode, use the center button to set the first digit then press the right button to move on to the next digit.
4. Use the center button to set the second digit then press the right button to move on to the next digit.
5. Use the center button to set the third digit then press the right button to move on to the next digit.
6. Use the center button to set the fourth digit then press the right button.
7. Press the middle button to enter the code.

The ability to view and change the settings in the Protected Menu can be changed. Once the Protected Menu has been accessed, scroll down to Protect Settings. Using the right button, changing Protect Settings to OFF will allow the ability to view and change the settings in the Protected Menu without entering the passcode. Changing Protect Settings to ON will hide the protected options and will require entering a passcode to change the setting in the Protected Menu. After the passcode has been set, the key switch must be turned off and back on to enable and save this feature.

Viewing the changing the Protected Menu Settings

1. In the Protected Menu, scroll down to Protect Settings.
2. To view and change the settings without entering a passcode, use the right button to change the Protect Settings to OFF.
3. To view and change the settings with a passcode, use the left button to select ON, set the passcode, and turn the key in the ignition switch to the OFF position and then to the ON position.

Setting the Auto Idle

1. In the Settings Menu, scroll down to Auto Idle.
2. Press the right button to change the auto idle time between OFF, 8S, 10S, 15S, 20S, and 30S.

Setting the Maximum Allowed Mow Speed

1. In the Settings Menu, Scroll down to Mow Speed and press the right button.

Setting the Maximum Allowed Transport Speed

1. In the Settings Menu, scroll down to Transport Speed and press the right button.
2. Use the right button to increase the max transport speed (50%, 75%, or 100%).
3. Use the center button to decrease the max transport speed (50%, 75%, or 100%).
4. Press the left button to exit.

Turning the Smart Power ON/OFF

1. In the settings menu, scroll down to Smart Power.
2. Press the right button to switch between ON and OFF.
3. Press the left button to exit.

Setting the Counterbalance

1. In the Settings Menu, scroll down to Counter Balance and press the right button.
2. Press the right button to switch between Low, Med, and High.

When finished with the Protected Menu, press the left button to exit to the Main Menu, then press the left button to exit to the Run Menu.

Stationary Regeneration

If the Stationary Regeneration icon appears on the InfoCenter, refer to the *Service Manual* or contact your Toro Distributor for the maintenance procedure.

DPF Ash Level

The DPF ash level may be checked by entering the PIN as described in Accessing the Protected Menu Settings and navigating to the service section.

Specifications

Note: Specifications and design are subject to change without notice.

	4500-D	4700-D
Width of cut	2.8 m (109 inches)	3.8 m (150 inches)
Overall width, cutting units down	286 cm (112.8 inches)	391 cm (153.8 inches)
Overall width, cutting units up (transport)	224 cm (88.25 inches)	224 cm (88.25 inches)
Overall length	370 cm (145.8 inches)	370 cm (145.8 inches)
Height with ROPS	216 cm (85 inches)	216 cm (85 inches)
Ground clearance	15 cm (6 inches)	15 cm (6 inches)
Track Width, front	224 cm (88.25 inches)	224 cm (88.25 inches)
Track Width, rear	141 cm (55.5 inches)	141 cm (55.5 inches)
Wheel base	171 cm (67-1/2 inches)	171 cm (67-1/2 inches)
Net Weight (with cutting units and no fluids)	1894 kg (4175 lb)	2234 kg (4925 lb)

Cutting Deck	
Length	86.4 cm (34 inches)
Width	86.4 cm (34 inches)
Height	24.4 cm (9.6 inches) to carrier mount 26.7 cm (10-1/2 inches) at 3/4 inch height of cut 34.9 cm (13-3/4 inches) at 4 inch height of cut
Weight	88 kg (195 pounds)

Attachments/Accessories

A selection of Toro approved attachments and accessories is available for use with the machine to enhance and expand its capabilities. Contact your Authorized Service Dealer or Distributor or go to www.Toro.com for a list of all approved attachments and accessories.

To best protect your investment and maintain optimal performance of your Toro equipment, count on Toro genuine parts. When it comes to reliability, Toro delivers replacement parts designed to the exact engineering specification of our equipment. For peace of mind, insist on Toro genuine parts.

Operation

Note: Determine the left and right sides of the machine from the normal operating position.

⚠ CAUTION

This machine produces sound levels in excess of 85 dBA at the operator's ear and can cause hearing loss through extended periods of exposure.

Wear hearing protection when operating this machine.

⚠ CAUTION

If you leave the key in the ignition switch, someone could accidentally start the engine and seriously injure you or other bystanders.

Remove the key from the ignition before you do any maintenance.

Think Safety First

Carefully read all safety instructions and symbols in the safety section. Knowing this information could help you or bystanders avoid injury.

⚠ DANGER

Operating on wet grass or steep slopes can cause sliding and loss of control.

Wheels dropping over edges can cause rollovers, which may result in serious injury, death, or drowning.

There is no rollover protection when the roll bar is down.

Always keep the roll bar in the fully raised and locked position and use the seat belt.

Read and follow the rollover protection instructions and warnings.

To avoid loss of control and possibility of rollover:

- Do not operate near drop-offs or near water.
- Do not operate on slopes greater than 20 degrees.
- Reduce speed and use extreme caution on slopes.
- Avoid sudden turns or rapid speed changes.

⚠ CAUTION

This machine produces sound levels that can cause hearing loss through extended periods of exposure.

Wear hearing protection when operating this machine.

The use of protective equipment for eyes, ears, hands, feet, and head is recommended.

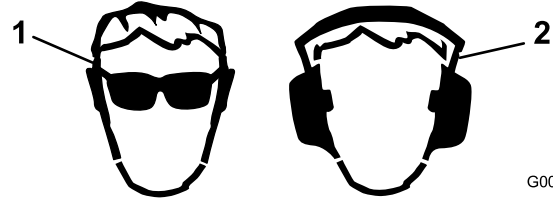


Figure 16

G009027

1. Wear safety glasses.
2. Wear hearing protection.

Checking the Engine-Oil Level

Service Interval: Before each use or daily

The engine is shipped with oil in the crankcase; however, the oil level must be checked before and after the engine is first started.

The crankcase capacity is approximately 5.7 L (6 US qt) with the filter.

Use high-quality engine oil that meets the following specifications:

- API Classification Level Required: CJ-4 or higher.
- Preferred oil: SAE 15W-40 (above -17.8°C (0°F))
- Alternate oil: SAE 10W-30 or 5W-30 (all temperatures)

Important: Using non CJ-4 or higher oil causes DPF plugging and damage the engine.

Note: Toro Premium Engine oil is available from your distributor in either 15W-40 or 10W-30 viscosity. See the *Parts Catalog* for part numbers.

Note: The best time to check the engine oil is when the engine is cool before it has been started for the day. If it has already been run, allow the oil to drain back down to the sump for at least 10 minutes before checking.

1. Park the machine on a level surface.
2. Unlock the engine-cover latches and open the engine cover.
3. Remove the dipstick, wipe it clean, install the dipstick into the tube, and pull it out again.

Note: The oil level should be in the safe range (Figure 17).

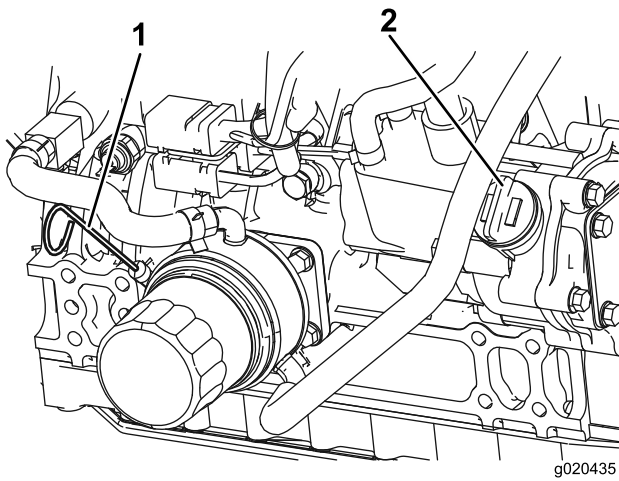


Figure 17

1. Dipstick
2. Oil-fill cap

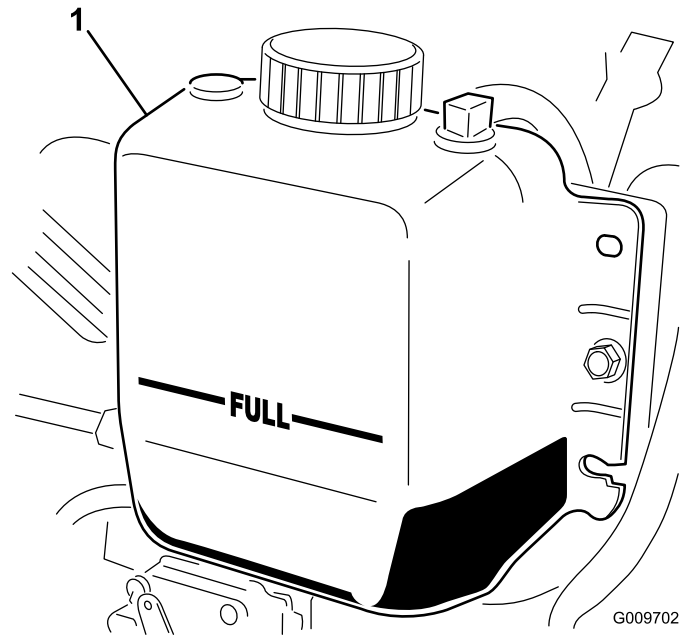


Figure 18

1. Expansion tank

4. If the oil is below the safe range, remove the fill cap (Figure 17) and add oil until the level reaches the Full mark. **Do not overfill.**

Note: When using different oil, drain all old oil from the crankcase before adding new oil.

5. Install the oil fill cap and dipstick.
6. Close the engine cover and secure it with the latches.

Checking the Cooling System

Service Interval: Before each use or daily

Check level of coolant at the beginning of each day. Capacity of system is 8.5 L (9 US qt).

1. Carefully remove the radiator cap.

⚠ CAUTION

If the engine has been running, the pressurized, hot coolant can escape and cause burns.

- **Do not open the radiator cap when the engine is running.**
- **Use a rag when opening the radiator cap, and open the cap slowly to allow steam to escape.**

2. Check the coolant level in the radiator. The radiator should be filled to the top of the filler neck and the expansion tank filled to the Full mark (Figure 18).
3. If the coolant is low, add a 50/50 mixture of water and ethylene glycol anti freeze. Do not use water only or alcohol/methanol base coolants.
4. Install the radiator cap and expansion tank cap.

Filling the Fuel Tank

Fuel tank capacity: 83 L (22 US gallons)

Use only clean, fresh diesel fuel with ultra low (<15 ppm) sulfur content meeting ASTM D 975 or EN 590 specifications. The minimum cetane rating should be 40. Purchase fuel in quantities that can be used within 180 days to ensure that the fuel is fresh.

Important: Use of non-ultra low sulfur fuel causes damage to the engine emission system.

Fuel tank capacity: 79 L (21 US gallons)

Use summer grade diesel fuel (No. 2-D) at temperatures above -7° C (20° F) and winter grade (No. 1-D or No. 1-D/2-D blend) below that temperature. Use of winter grade fuel at lower temperatures provides lower flash point and cold flow characteristics which eases starting and reduces fuel filter plugging.

Use of summer grade fuel above -7° C (20° F) contributes toward longer fuel-pump life and increased power compared to winter grade fuel.

Important: Do not use kerosene or gasoline instead of diesel fuel. Failure to observe this caution damages the engine.

⚠ WARNING

Fuel is harmful or fatal if swallowed. Long-term exposure to vapors can cause serious injury and illness.

- Avoid prolonged breathing of vapors.
- Keep face away from nozzle and fuel tank or conditioner opening.
- Keep fuel away from eyes and skin.

Biodiesel Ready

This machine can also use a biodiesel blended fuel of up to B20 (20% biodiesel, 80% petrodiesel). The petrodiesel portion must be ultra-low sulfur. Observe the following precautions:

- The biodiesel portion of the fuel must meet specification ASTM D6751 or EN14214.
- The blended fuel composition should meet ASTM D975 or EN590.
- Painted surfaces may be damaged by biodiesel blends.
- Use B5 (biodiesel content of 5%) or lesser blends in cold weather.
- Monitor seals, hoses, and gaskets in contact with fuel as they may be degraded over time.
- Fuel filter plugging may be expected for a time after converting to biodiesel blends.
- Contact your distributor if you wish for more information on biodiesel.

⚠ DANGER

In certain conditions, fuel is extremely flammable and highly explosive. A fire or explosion from fuel can burn you and others and can damage property.

- Fill the fuel tank outdoors, in an open area, when the engine is cold. Wipe up any fuel that spills.
- Never fill the fuel tank inside an enclosed trailer.
- Never smoke when handling fuel, and stay away from an open flame or where fuel fumes may be ignited by a spark.
- Store fuel in an approved container and keep it out of the reach of children. Never buy more than a 180-day supply of fuel.
- Do not operate machine without entire exhaust system in place and in proper working condition.

⚠ DANGER

In certain conditions during fueling, static electricity can be released causing a spark which can ignite the fuel vapors. A fire or explosion from fuel can burn you and others and can damage property.

- Always place fuel containers on the ground away from your vehicle before filling.
- Do not fill fuel containers inside a vehicle or on a truck or trailer bed because interior carpets or plastic truck bed liners may insulate the container and slow the loss of any static charge.
- When practical, remove equipment from the truck or trailer and refuel the equipment with its wheels on the ground.
- If this is not possible, then refuel such equipment on a truck or trailer from a portable container, rather than from a fuel-dispenser nozzle.
- If a fuel-dispenser nozzle must be used, keep the nozzle in contact with the rim of the fuel tank or container opening at all times until fueling is complete.

1. Park the machine on a level surface.
2. Clean the are around the fuel-tank cap with a clean rag.
3. Remove the cap from the fuel tank (Figure 19).

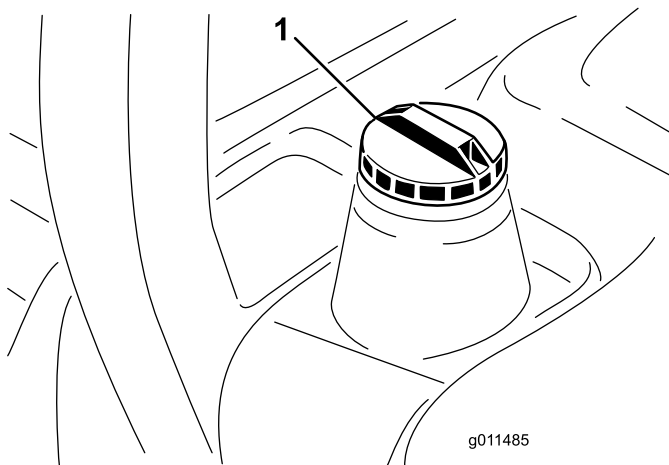


Figure 19

1. Fuel-tank cap

4. Fill the tank with diesel fuel until the level reaches the bottom of the filler neck.
5. Install the fuel-tank cap tightly.

Note: If possible, fill the fuel tank after each use. This minimizes possible buildup of condensation inside the fuel tank.

Checking the Hydraulic-Fluid Level

Service Interval: Before each use or daily

The machine's reservoir is filled at the factory with approximately 28.4 L (7.50 US gallons) of high quality hydraulic fluid. Check the level of the hydraulic fluid before the engine is first started and daily thereafter. The recommended replacement fluid is as follows:

Toro Premium All Season Hydraulic Fluid (Available in 18.9 L (5 US gallons) pails or 208 L (55 US gallons) drums. See the *Parts Catalog* or your Toro Distributor for part numbers.)

Alternate fluids: If the Toro fluid is not available, other fluids may be used provided they meet all the following material properties and industry specifications. We do not recommend the use of synthetic fluid. Consult with your lubricant distributor to identify a satisfactory product.

Note: Use products only from reputable manufacturers. Toro does not take responsibility for damage caused by improper substitutions.

High Viscosity Index/Low Pour Point Anti-wear Hydraulic Fluid, ISO VG 46

Material Properties:

Viscosity, ASTM D445	cSt @ 40°C 44 to 48 cSt @ 100°C 7.9 to 8.5
Viscosity Index ASTM D2270	140 to 160

Pour Point, ASTM D97	-34°F to -49°F
----------------------	----------------

Industry Specifications:

Vickers I-286-S (Quality Level), Vickers M-2950-S (Quality Level), Denison HF-0

Important: The ISO VG 46 Multigrade fluid has been found to offer optimal performance in a wide-range of temperature conditions. For operation in consistently high ambient temperatures, 18° C (65° F) to 49° C (120° F), ISO VG 68 hydraulic fluid may offer improved performance.

Premium Biodegradable Hydraulic Fluid-Mobil EAL EnviroSyn 46H

Important: Mobil EAL EnviroSyn 46H is the only synthetic biodegradable fluid approved by Toro. This fluid is compatible with the elastomers used in Toro hydraulic systems and is suitable for a wide-range of temperature conditions. This fluid is compatible with conventional mineral oils, but for maximum biodegradability and performance the hydraulic system should be thoroughly flushed of conventional fluid. The oil is available in 19 L (5 US gallons) containers or 208 L (55 US gallons) drums from your Mobil Distributor.

Important: Many hydraulic fluids are almost colorless, making it difficult to spot leaks. A red dye additive for the hydraulic system oil is available in 20 ml (2/3 oz) bottles. 1 bottle is sufficient for 15 to 22 L (4 to 6 US gallons) of hydraulic oil. Order Part Number 44-2500 from your Toro Distributor.

1. Position the machine on a level surface, lower the cutting units, turn the key in the ignition switch to the OFF position, and remove the key.
2. Clean the area around the filler neck and cap of the hydraulic tank (Figure 20). Remove the cap from the filler neck.

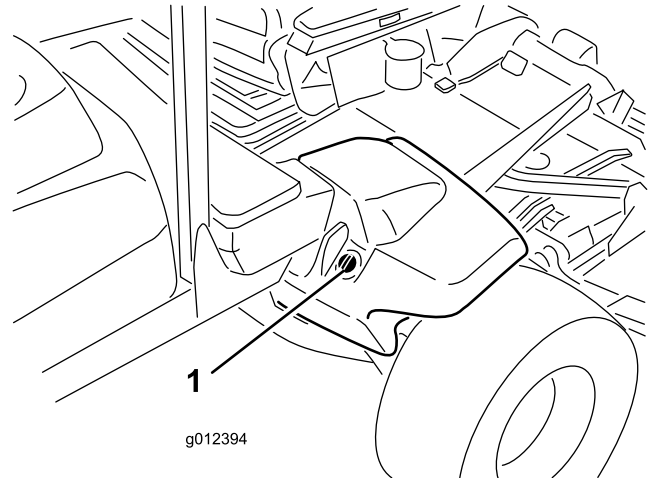


Figure 20

1. Hydraulic-tank cap

3. Remove the dipstick, wipe it clean, install the dipstick into the tank, and pull it out again.
Note: The fluid level should be between the 2 marks on the dipstick.
4. If the level is low, add the appropriate fluid to raise the level to the upper mark.
5. Install the dipstick and cap onto the filler neck.

Checking the Tire Pressure

Service Interval: Before each use or daily

The tires are over-inflated for shipping. Therefore, release some of the air to reduce the pressure. The correct air pressure in the tires is 138 kPa (20 psi).

Important: Maintain the recommended pressure in all tires to ensure that there is a good quality-of-cut and for proper machine performance. Do not under-inflate.

Starting and Stopping the Engine

Starting the Engine

Important: You must bleed the fuel system before starting the engine if the engine has stopped due to lack of fuel, or you have performed maintenance on the fuel system.

1. Sit on the seat, keep your foot off the traction pedal so that it is in NEUTRAL, and engage the parking brake.

2. Turn the key in the ignition switch to the RUN position. The glow indicator will light.
3. When the glow indicator dims, turn the key in the ignition switch to the START position. Release the key immediately when the engine starts and allow it to return to the Run position. Adjust the engine speed.

Important: Do not run the starter motor more than 30 seconds at a time or premature starter failure may result. If the engine fails to start after 30 seconds, turn the key to the Off position, recheck the controls and procedures, wait 30 additional seconds, and repeat the starting procedure.

When the temperature is less than -7°C (20°F), the starter motor can be run for 30 seconds on then 60 seconds off for 2 attempts.

▲ CAUTION

Shut the engine off and wait for all moving parts to stop before checking for oil leaks, loose parts, and other malfunctions.

Stopping the Engine

Important: Allow the engine to idle for 5 minutes before shutting it off after a full load operation. This allows the turbo charger to cool down before shutting the engine off. Failure to do so may lead to turbo-charger trouble.

Note: Lower the cutting units to the ground whenever machine is parked. This relieves the hydraulic load from the system, prevents wear on system parts and also prevents accidental lowering of the cutting units.

1. Move the PTO switch to the OFF position.
2. Set the parking brake.
3. Return the engine low idle.
4. Turn the key in the ignition switch to the OFF position and remove the key.

Smart Power

With Toro Smart Power™, the operator does not have to listen to the engine speed in heavy conditions. Smart Power prevents bogging down in heavy turf by automatically controlling the machine speed and optimizing cutting performance.

Reversing Fan Operation

The fan speed is controlled by the hydraulic-oil temperature and engine-coolant temperature. A reverse cycle is automatically initiated when either the engine coolant or hydraulic oil temperature reaches a certain point. This reversal helps blow debris off the rear screen and lowers the engine and hydraulic-oil temperatures. To manually initiate a reverse cycle, simultaneously press the outer buttons on the InfoCenter for 4 seconds. Reverse the fan when the rear screen is clogged or prior to entering the shop or storage area.

Auto Idle

The machine is equipped with Auto Idle which automatically returns the engine to low idle when all of the following functions are not used, for a pre determined time, previously set in the InfoCenter.

- The traction pedal is returned to the neutral position
- The PTO is disengaged
- None of the lift switches are activated

Note: When any of the above functions are initiated, the machine automatically returns to the previous engine-speed setting.

Engine-Speed Switch

The engine-speed switch has 2 modes to change the engine speed. To increase or decrease the engine speed (in 100 rpm increments), tap the switch. To automatically move to High or Low idle, hold down the switch to the desired side.


Mow Speed

Supervisor (Protected Menu)

Allows the supervisor to set the machine's maximum mowing speed, in increments of 50%, 75% or 100%, at which the operator can mow (low range).

Refer to [Using the InfoCenter LCD Display \(page 18\)](#) for the procedure to set the mow speed.

Operator

Allows the operator to adjust the machine's maximum mowing speed (low range), within the supervisors pre-adjusted settings. When in the InfoCenter splash or main screen, press the middle button () to adjust the speed.

Note: When switching between low and high ranges, the settings transfer based on the previous setting. The settings reset when the machine is turned off.


Transport Speed

Supervisor (Protected Menu)

Allows the supervisor to set the machine's maximum transport speed, in increments of 50%, 75% or 100%, at which the operator can transport (high range).

Refer to [Using the InfoCenter LCD Display \(page 18\)](#) for the procedure to set the transport speed.

Operator

Allows the operator to adjust the machine's maximum transport speed (high range), within the supervisor's pre-adjusted settings. When in the InfoCenter splash or main screen, press the middle button ( icon) to adjust the speed.

Note: When switching between low and high ranges, the settings transfer based on the previous setting. The settings reset when the machine is turned off.

Counterbalance

The counterbalance system maintains hydraulic back pressure on the deck lift cylinders. This counterbalance pressure transfers cutting deck weight to the mower's drive wheels to improve traction. The counterbalance pressure has been factory set to an optimal balance of after-cut appearance and traction capability in most turf conditions. Decreasing the counterbalance setting can produce a more stable cutting deck, but can decrease the traction capability. Increasing the counterbalance setting can increase the traction capability, but may result in aftercut appearance issues.

During different times of the mowing season or when turf conditions vary, the amount of counterbalance (upward lift) required on the cutting decks can be changed to meet the conditions.

Refer to [Using the InfoCenter LCD Display \(page 18\)](#) for the procedure to set the counterbalance pressure.

Checking the Interlock Switches

Service Interval: Before each use or daily

⚠ CAUTION

If the safety-interlock switches are disconnected or damaged the machine could operate unexpectedly causing personal injury.

- **Do not tamper with the interlock switches.**
- **Check the operation of the interlock switches daily and replace any damaged switches before operating the machine.**

The interlock switches are designed to stop the machine when the operator gets off the seat when the traction pedal is depressed. However, the operator may get off the seat while the engine is running and the traction pedal is in neutral. Although the engine continues to run if the PTO switch is disengaged and the traction pedal is released, it is strongly recommended that the engine be stopped before rising from the seat.

To check the operation of the interlock switches, perform the following procedure:

1. Park the machine on a level surface, lower the cutting unit, turn the key in the ignition switch to the OFF position, and engage the parking brake.
2. Press the traction pedal. Turn the key in the ignition switch to the ON position.

Note: If the engine cranks, there is a malfunction in the interlock system. Correct this malfunction before operating the machine.

3. Turn the key in the ignition switch to the ON position, rise from the seat, and move the PTO switch to ON.

Note: The PTO should not engage. If the PTO engages, there is a malfunction in the interlock system. Correct this malfunction before operating the machine.

4. Engage the parking brake, turn the key in the ignition switch to the ON position, and move the traction pedal out of NEUTRAL.

Note: The InfoCenter displays "traction denied" and the machine should not move. If the machine does move, there is a malfunction in the interlock system. Correct this malfunction before operating the machine.

Pushing or Towing the Machine

Important: Do not push or tow the machine faster than 3 to 4.8 km/h (2 to 3 MPH) because internal transmission damage may occur. The bypass valve must be open whenever the machine is pushed or towed.

Important: If the machine must be pushed or towed in reverse, the check valve in the four-wheel drive manifold must also be bypassed. To bypass the check valve, connect a hose assembly (Hose Part Number 95-8843, Coupler Fitting Part Number 95-0985 [Qty. 2], and Hydraulic Fitting Part Number 340-77 [Qty. 2]) to the reverse traction pressure test port, located on the hydrostat, and on the port located in-between ports M8 and P2 on the rear traction manifold which is located to the inside of the front rear tire.

1. Open the hood and locate the bypass valves (Figure 21) on the top of pump, behind the battery/storage boxes.
2. Rotate each valve 3 turns counter-clockwise to open and allow oil to bypass internally. **Do not open more than 3 turns.** Because fluid is bypassed, the machine can be slowly moved without damaging the transmission.

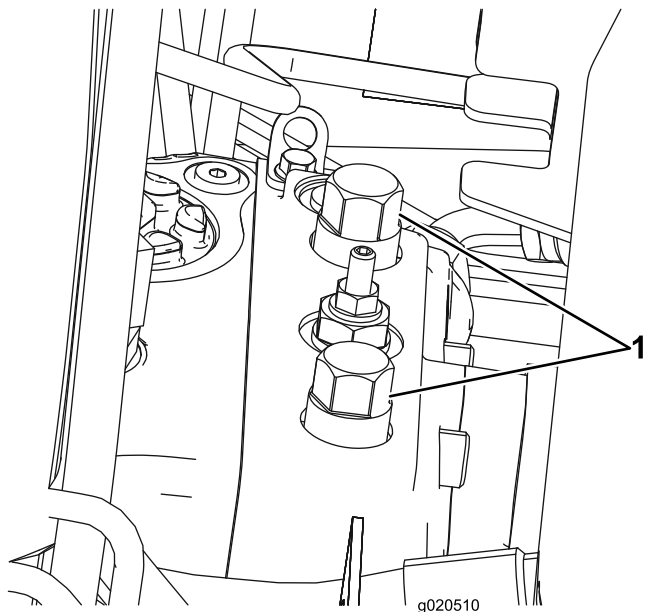


Figure 21

1. Bypass valve (2)

3. Close the bypass valves before starting the engine. Torque to 70 N-m (52 ft-lb) to close the valve.

Jacking Points

- Front—frame, on the inside of each drive tire.
- Rear—center of the axle.

Transporting the Machine

Use a heavy-duty trailer or truck to transport the machine. Ensure that the trailer or truck has all necessary brakes, lighting, and marking as required by law. Please carefully read all the safety instructions. Knowing this information could help you, your family, pets, or bystanders avoid injury.

⚠ WARNING

Driving on the street or roadway without turn signals, lights, reflective markings, or a slow moving vehicle emblem is dangerous and can lead to accidents causing personal injury.

Do not drive machine on a public street or roadway.

To transport the machine:

1. If using a trailer, connect it to the towing vehicle and connect the safety chains.
2. If applicable, connect the trailer brakes.
3. Load the machine onto the trailer or truck.
4. Stop the engine, remove the key, set the brake, and close the fuel valve.
5. Use the metal tie down loops on the machine to securely fasten the machine to the trailer or truck with straps, chains, cable, or ropes.

Loading the Machine

Use extreme caution when loading the machine onto a trailer or a truck. 1 full-width ramp that is wide enough to extend beyond the rear tires is recommended instead of individual ramps for each side of the machine (Figure 22). The lower rear section of the machine frame extends back between the rear wheels and serves as a stop for tipping backward. Having a full-width ramp provides a surface for the frame members to contact if the machine starts to tip backward. If it is not possible to use one full-width ramp, use enough individual ramps to simulate a full-width continuous ramp.

The ramp should be long enough so that the angles do not exceed 15 degrees (Figure 22). A steeper angle may cause mower components to get caught as the unit moves from the ramp to the trailer or truck. Steeper angles may also cause the machine to tip backward. If loading on or near a slope, position the trailer or truck so that it is on the down side of the slope and the ramp extends up the slope. This will minimize the ramp angle. The trailer or truck should be as level as possible.

Important: Do not attempt to turn the machine while on the ramp; you may lose control and drive off the side.

Avoid sudden acceleration when driving up a ramp and sudden deceleration when backing down a ramp. Both maneuvers can cause the machine to tip backward.

▲ WARNING

Loading a machine onto a trailer or truck increases the possibility of backward tip-over and could cause serious injury or death.

- Use extreme caution when operating a machine on a ramp.
- Ensure that the ROPS is in the up position while using the seat belt when loading the machine. Ensure that the ROPS will clear the top of an enclosed trailer.
- Use only a single, full-width ramp; do not use individual ramps for each side of the machine.
- If individual ramps must be used, use enough ramps to create an unbroken ramp surface wider than the machine.
- Do not exceed a 15-degree angle between the ramp and the ground or between the ramp and the trailer or truck.
- Avoid sudden acceleration while driving the machine up a ramp, to avoid tipping backward.
- Avoid sudden deceleration while backing the machine down a ramp, to avoid tipping backward.

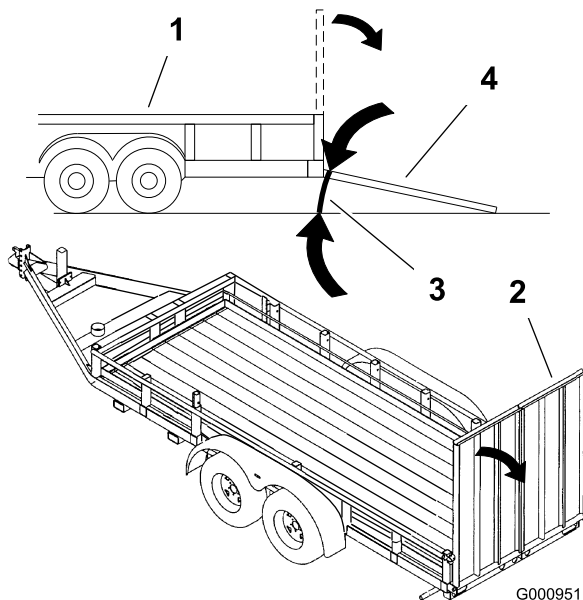


Figure 22

- | | |
|--------------------|--------------------------------|
| 1. Trailer | 3. Not greater than 15 degrees |
| 2. Full-width ramp | 4. Full-width ramp—side view |

Operating Characteristics

Practice driving the machine because it has a hydrostatic transmission and its characteristics are different than many

turf maintenance machines. Some points to consider when operating the traction unit and cutting units are the transmission, engine speed, load on the cutting blades and the importance of the brakes.

With Toro Smart Power™, the operator does not have to listen to the engine speed in heavy conditions. Smart Power prevents bogging down in heavy turf by automatically controlling the machine speed and optimizing cutting performance.

Another characteristic to consider is the operation of the pedals that are connected to the brakes. The brakes can be used to assist in turning the machine. However, use them carefully, especially on soft or wet grass because the turf may be torn accidentally. Another benefit of the brakes is to maintain traction. For example, in some slope conditions, the uphill wheel slips and loses traction. If this situation occurs, depress the uphill-turn pedal gradually and intermittently until the uphill wheel stops slipping, thus, increasing traction on the downhill wheel.

Use extra care when operating the machine on slopes. Make sure that the seat latch is properly secured and the seat belt is buckled. Drive slowly and avoid sharp turns on slopes to prevent rollovers. For steering control, the cutting unit must be lowered when going downhill.

▲ WARNING

This product is designed to drive objects into the ground where they lose energy quickly in grass areas. However, careless operation, combined with terrain angle, ricochets, or improperly positioned safety guards can lead to thrown object injuries.

- When a person or pet appears suddenly in or near the mowing area, stop mowing.
- Do not resume mowing until the area is cleared.

Important: Allow engine to idle for 5 minutes before shutting it off after a full load operation. This allows the turbo charger to cool down before shutting the engine off. Failure to do so may lead to turbo-charger trouble.

Before stopping the engine, disengage all controls and set the engine speed to Slow. Setting the engine speed to Slow reduces high engine rpm, noise, and vibration. Turn the key in the ignition switch to the OFF position to stop the engine.

Selecting a Blade

Standard Combination Sail

This blade was designed to provide excellent lift and dispersion in almost any condition. If more or less lift and discharge velocity is required, consider a different blade.

Attributes: Excellent lift and dispersion in most conditions.

Angled Sail

The blade generally performs best in lower heights of cut—1.9 to 6.4 cm (3/4 to 2-1/2 inches).

Attributes:

- Discharge remains more even at lower heights of cut.
- Discharge has less tendency to throw left and thus a cleaner look around bunkers and fairways.
- Lower power requirement at lower heights and dense turf.

High Lift Parallel Sail

The blade generally performs better in the higher heights of cut—7 to 10 cm (2 to 4 inches).

Attributes:

- More lift and higher discharge velocity.
- Sparse or limp turf is picked up significantly at higher heights of cut.

- Wet or sticky clippings are discharged more efficiently reducing congestion in the deck.
- Requires more horsepower to run.
- Tends to discharge further left and can tend to windrow at lower heights of cut.

⚠ WARNING

Do not use the high lift blade with the mulching baffle. The blade could break, resulting in personal injury or death.

Atomic Blade

This blade was designed to provide excellent leaf mulching.

Attributes: Excellent leaf mulching

Choosing Accessories

Optional Equipment Configurations

	Angle Sail Blade	High Lift Parallel Sail Blade (<i>Do not use with the mulching baffle</i>)	Mulching Baffle	Roller Scraper
Grass Cutting: 1.9 to 4.4 cm (0.75 to 1.75 inches) height of cut	Recommended in most applications	May work well in light or sparse turf	Has been shown to improve dispersion and after cut performance on northern grasses that are cut at least 3 times per week and less than 1/3 of the grass blade is removed. Do not use with the high lift parallel sail blade	Can be used any time that rollers buildup with grass or large flat grass clumps of grass are seen. The scrapers may actually increase clumping in certain applications.
Grass Cutting: 5 to 6.4 cm (2.00 to 2.50 inches) height of cut	Recommended for thick or lush turf	Recommended for light or sparse turf		
Grass Cutting: 7 to 10 cm (2.75 to 4.00 inches) height of cut	May work well in lush turf	Recommended in most applications		
Leaf Mulching	Recommended for use with the mulching baffle	Not Allowed	Use with combination sail or angle sail blade only	
Pros	Even discharge at lower height of cut, cleaner look around bunkers and fairways, lower power requirements	More lift and higher discharge velocity, sparse or limp turf is picked up at high height of cut, wet or sticky clippings are discharged efficiently	May improve dispersion and appearance in certain grass cutting applications, very good for leaf mulching	Reduces roller buildup in certain applications
Cons	Does not lift the grass well in high height-of-cut applications, wet or sticky grass has a tendency to buildup in the chamber, leading to poor quality of cut and higher power requirements	Requires more power to run in some applications, tends to windrow at lower height of cut in lush grass, do not use with the mulching baffle	Grass will buildup in the chamber if attempting to remove too much grass with baffle in place	

Operating Tips

When to Mow

Mow either in the late morning to avoid the dew, which causes grass clumping, or in late afternoon to avoid the damage that can be caused by direct sunlight on the sensitive, freshly mowed grass.

Select the Proper Height-of-Cut Setting to Suit Conditions

Remove approximately 25 mm (1 inch) or no more than 1/3 of the grass blade when cutting. In exceptionally lush and dense grass, you may have to raise the height of cut to the next setting.

Mow at Proper Intervals

Under most normal conditions you need to mow approximately every 4-5 days. But remember, grass grows at different rates at different times. This means that in order to maintain the same height of cut, which is a good practice, you will need to cut more frequently in early spring; as the grass growth rate slows in mid summer, cut only every 8-10 days. If you are unable to mow for an extended period due to weather conditions or other reasons, mow first with the height of cut at a high level; then mow again 2-3 days later with a lower height setting.

Always Mow with Sharp Blades

A sharp blade cuts cleanly and without tearing or shredding the grass blades like a dull blade. Tearing and shredding causes the grass to turn brown at the edges which impairs growth and increases susceptibility to diseases.

Mowing Patterns

Change mowing patterns often to minimize aftercut appearance issues induced by repetitive operation in only 1 direction.

Resolving Aftercut Appearance

Reference Aftercut Appearance Troubleshooting Guide available at www.Toro.com.

Transporting (Groundsmaster 4700-D Only)

Use the 2 rear-transport latches for the outer cutting units when transporting over long distances, rough terrain, or when trailering.

After Operating

To ensure that optimum performance is met, clean the underside of the mower housings after each use. If residue

is allowed to buildup in the mower housing, cutting performance declines.

Note: Lower cutting units to the ground whenever machine is parked. This relieves the hydraulic load from the system, prevents wear on system parts and also prevents accidental lowering of the cutting units.

Maintenance

Note: Determine the left and right sides of the machine from the normal operating position.

Recommended Maintenance Schedule(s)

Maintenance Service Interval	Maintenance Procedure
After the first 8 hours	<ul style="list-style-type: none"> • Torque the wheel nuts.
After the first 200 hours	<ul style="list-style-type: none"> • Change the planetary gear drive oil. • Change the rear axle lubricant. • Change the hydraulic filters.
Before each use or daily	<ul style="list-style-type: none"> • Check the engine-oil level. • Check the cooling system. • Check the hydraulic-fluid level. • Check the tire pressure. • Check the interlock switches. • Drain water or other contaminants from the water separator. • Drain water or other contaminants from fuel filter/water separator. • Remove debris from the engine area, oil cooler, and radiator. • Inspect the hydraulic lines and hoses for leaks, kinked lines, loose mounting supports, wear, loose fittings, weather deterioration, and chemical deterioration. • Check the blade stopping time.
Every 50 hours	<ul style="list-style-type: none"> • Grease the bearings and bushings. • Check the battery condition.
Every 100 hours	<ul style="list-style-type: none"> • Check the condition and tension of the alternator belt.
Every 200 hours	<ul style="list-style-type: none"> • Torque the wheel nuts.
Every 250 hours	<ul style="list-style-type: none"> • Change the engine oil and filter.
Every 400 hours	<ul style="list-style-type: none"> • Service the air cleaner. (Service the air cleaner earlier if the air-cleaner indicator shows red. Service it more frequently in extremely dirty or dusty conditions.) • Check the fuel lines and connections. • Replace the fuel filter canister. • Replace the engine fuel filter. • Check the planetary gear drive oil level (Also, check if external leakage is observed). • Check the rear axle lubricant level.
Every 800 hours	<ul style="list-style-type: none"> • Drain and clean the fuel tank. • Change the planetary gear drive oil. (Or yearly, whichever comes first) • Change the rear axle lubricant. • Check the rear wheel toe-in. • Change the hydraulic fluid. • Change the hydraulic filters.
Every 6,000 hours	<ul style="list-style-type: none"> • Service the diesel oxidation catalyst (DOC) (or as required).
Before storage	<ul style="list-style-type: none"> • Drain and clean the fuel tank. • Check the tire pressure. • Check all fasteners. • Grease or oil all grease fittings and pivot points. • Paint chipped surfaces.
Yearly	<ul style="list-style-type: none"> • Check the fuel lines and connections.

Important: Refer to your *Engine Operator's Manual* and *Cutting Unit Operator's Manual* for additional maintenance procedures.

Note: Looking for an *Electrical Schematic* or *Hydraulic Schematic* for your machine? Download a free copy of the schematic by visiting www.Toro.com and searching for your machine from the Manuals link on the home page.

Daily Maintenance Checklist

Duplicate this page for routine use.

Maintenance Check Item	For the week of:						
	Mon.	Tues.	Wed.	Thurs.	Fri.	Sat.	Sun.
Check the safety interlock operation.							
Check the brake operation.							
Check the engine oil and fuel level.							
Check the cooling system fluid level.							
Drain the water/fuel separator.							
Check the air filter restriction indicator.							
Check the radiator, oil cooler, and screen for debris.							
Check unusual engine noises. ¹							
Check unusual operating noises.							
Check the hydraulic system oil level.							
Check hydraulic hoses for damage.							
Check for fluid leaks.							
Check the tire pressure.							
Check the instrument operation.							
Lubricate all grease fittings. ²							
Check the height-of-cut adjustment.							
Touch-up damaged paint.							

1. Check the glow plug and injector nozzles if hard starting, excess smoke, or rough running is noted.

2. Immediately after every washing, regardless of the interval listed.

Service Interval Chart

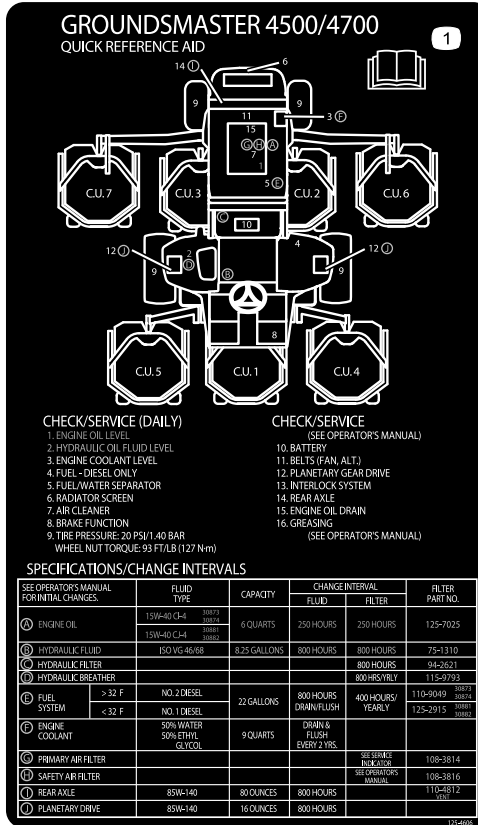


Figure 23

CAUTION

If you leave the key in the ignition switch, someone could accidentally start the engine and seriously injure you or other bystanders.

Remove the key from the ignition switch before you do any maintenance.

Premaintenance Procedures

Removing the Hood

1. Release the hood latches (Figure 24) and pivot the hood open.

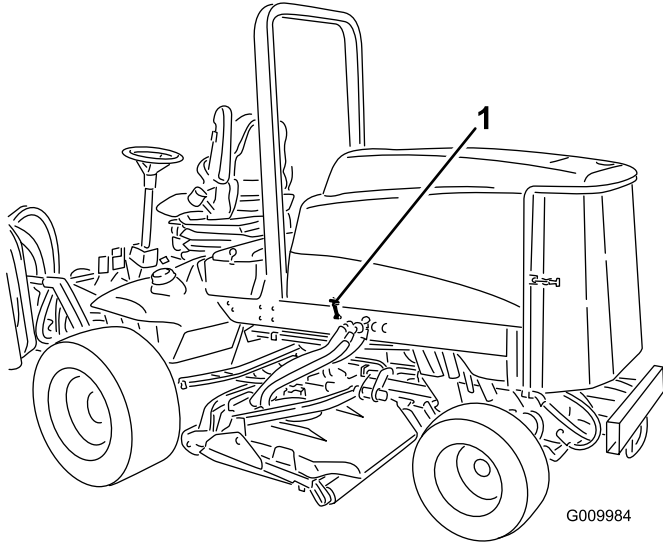


Figure 24

1. Hood latch (2)

2. Remove the cotter pins securing the rear-hood brackets to the frame pins and lift off the hood.

Lubrication

Greasing the Bearings and Bushings

Service Interval: Every 50 hours

The machine has grease fittings that must be lubricated regularly with No. 2 lithium grease.

The grease fitting locations and quantities are as follows:

- Brake-shaft pivot bearings (5) (Figure 25)

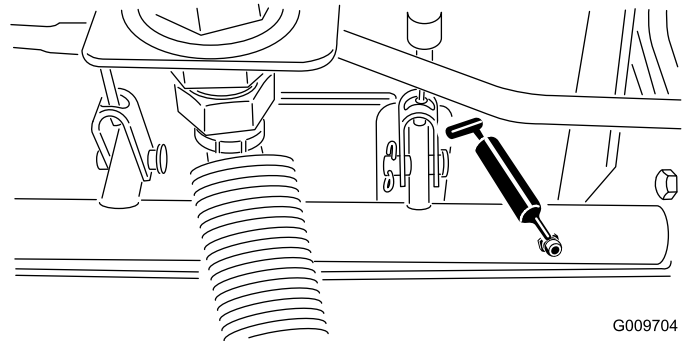


Figure 25

- Rear-axle pivot bushings (2) (Figure 26)

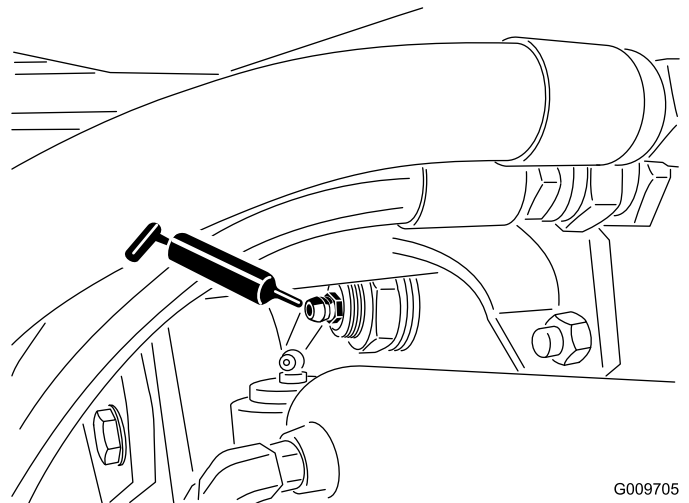


Figure 26

- Steering-cylinder ball joints (2) (Figure 27)

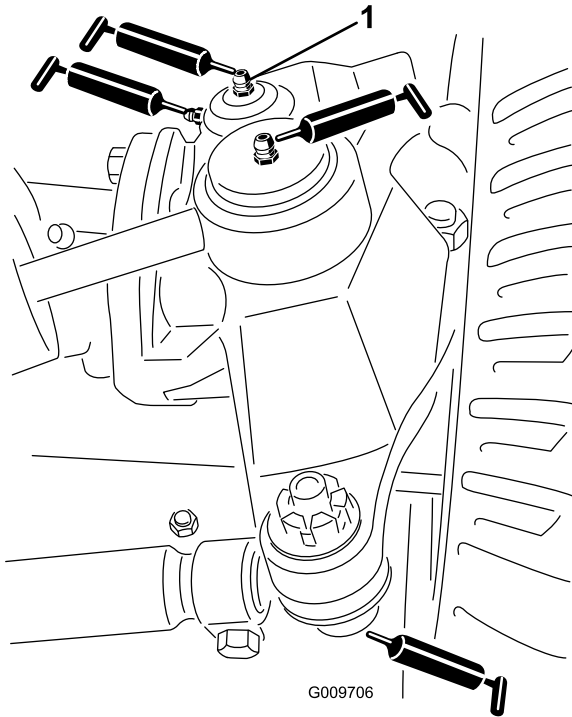


Figure 27

1. Top fitting on king pin

- Tie-rod ball joints (2) (Figure 27)
- King-pin bushings (2) (Figure 27). **The top fitting on the king pin should only be lubricated annually (2 pumps).**
- Lift-arm bushings (1 per deck) (Figure 28)

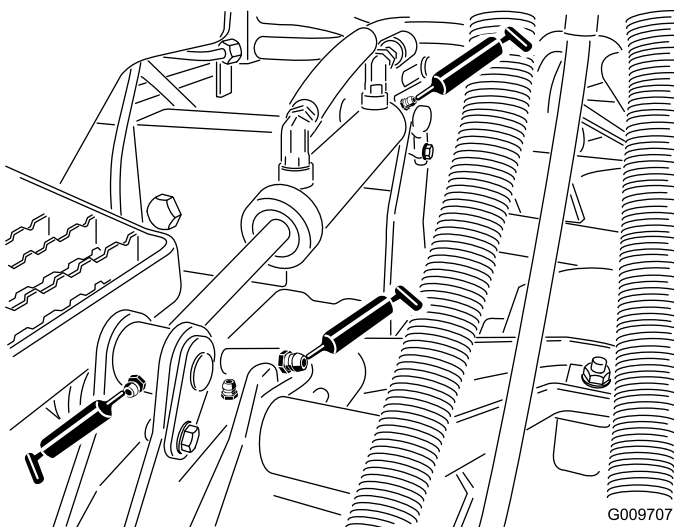


Figure 28

- Lift-cylinder bushings (2 per deck) (Figure 28)

- Cutting unit spindle-shaft bearings (2 per cutting unit) (Figure 29)

Note: Either fitting can be used, which ever is more accessible. Pump grease into the fitting until a small amount appears at bottom of the spindle housing (under the deck).

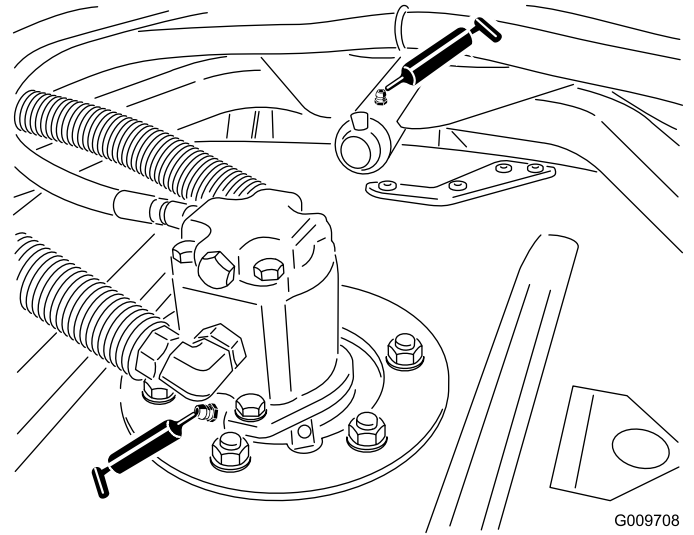


Figure 29

- Cutting unit carrier-arm bushings (1 per cutting unit) (Figure 29)
- Rear-roller bearings (2 per cutting unit) (Figure 30)

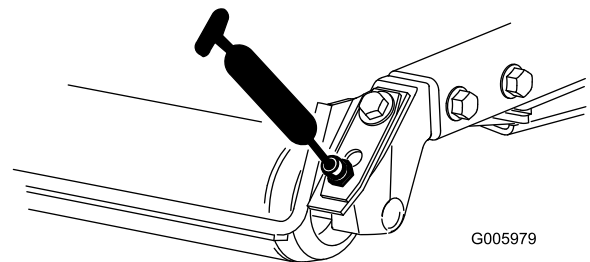


Figure 30

Important: Make sure that the grease groove in each roller mount aligns with the grease hole in each end of the roller shaft. To help align the groove and hole, there is also an alignment mark on 1 end of the roller shaft.

Engine Maintenance

Servicing the Air Cleaner

Service Interval: Every 400 hours

Check the air-cleaner body for damage which could cause an air leak. Replace if damaged. Check the whole intake system for leaks, damage, or loose hose clamps.

Service the air-cleaner filter only when the service indicator (Figure 31) requires it. Changing the air filter before it is necessary only increases the chance of dirt entering the engine when the filter is removed.

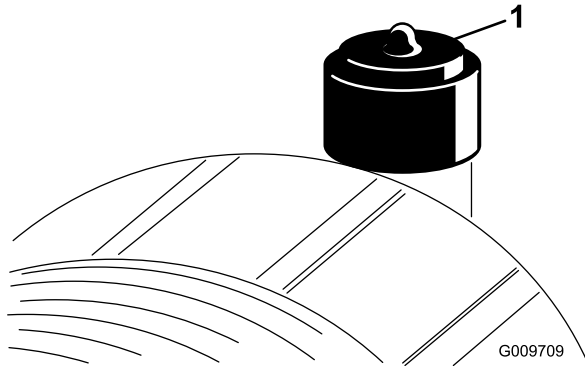


Figure 31

1. Air-cleaner indicator

Important: Make sure the cover is seated correctly and seals with the air-cleaner body.

1. Pull the latch outward and rotate the air-cleaner cover counterclockwise (Figure 32).

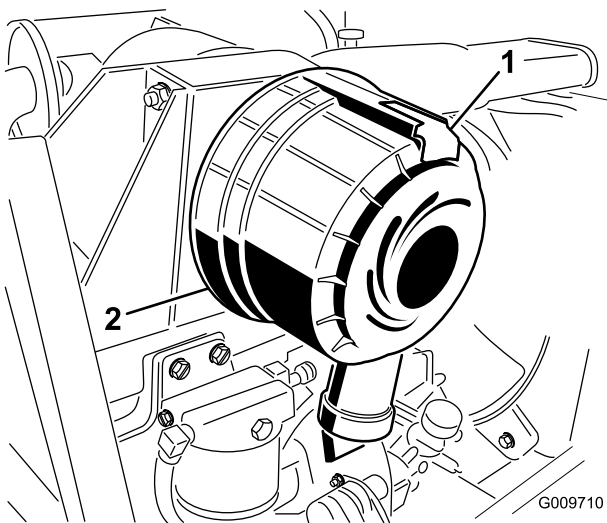


Figure 32

1. Air-cleaner latch
2. Air-cleaner cover

outside of primary filter and the canister. **Avoid using high pressure air which could force dirt through the filter into the intake tract.**

Note: This cleaning process prevents debris from migrating into the intake when the primary filter is removed.

4. Remove and replace the primary filter (Figure 33).

Note: It is not recommended to clean the used filter due to possibly damaging the filter media.

5. Inspect the sealing end and body of the filter for shipping damage. **Do not use a damaged element.**
6. Insert a new filter and apply pressure to the outer rim to seat it in the canister. **Do not apply pressure to the flexible center of the filter.**

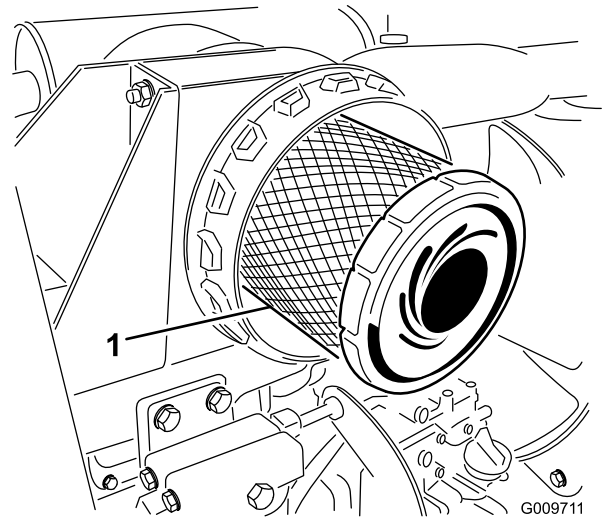


Figure 33

1. Air-cleaner primary filter

Important: Never attempt to clean the safety filter (Figure 34). Replace the safety filter after every 3 primary filter services.

2. Remove the cover from the air cleaner body.
3. Use low pressure air (40 psi, clean and dry) to help remove large accumulations of debris packed between

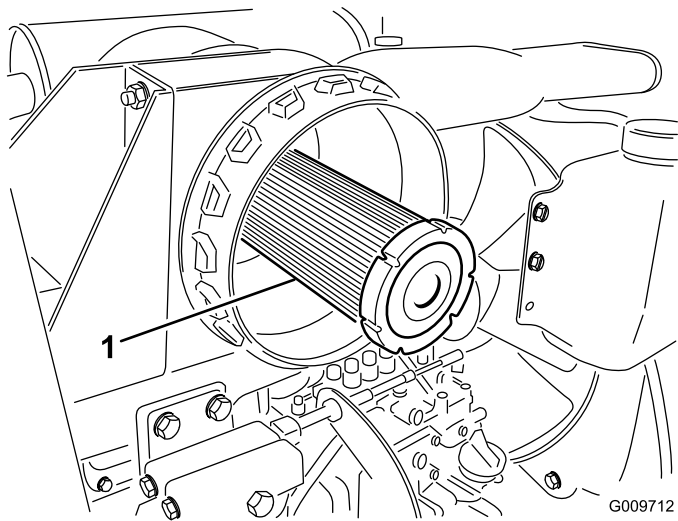


Figure 34

1. Air-cleaner safety filter

7. Clean the dirt ejection port located in the removable cover. To clean the cavity, remove, clean, and replace the rubber outlet valve.
8. Install the cover orienting the rubber outlet valve in a downward position—between approximately 5:00 o'clock to 7:00 o'clock when viewed from the end.
9. Reset the indicator ([Figure 31](#)) if it shows red.

Servicing the Engine Oil and Filter

Service Interval: Every 250 hours

Change the oil and filter every 250 hours.

1. Remove the drain plug ([Figure 35](#)) and let the oil flow into a drain pan. When the oil stops, install the drain plug.

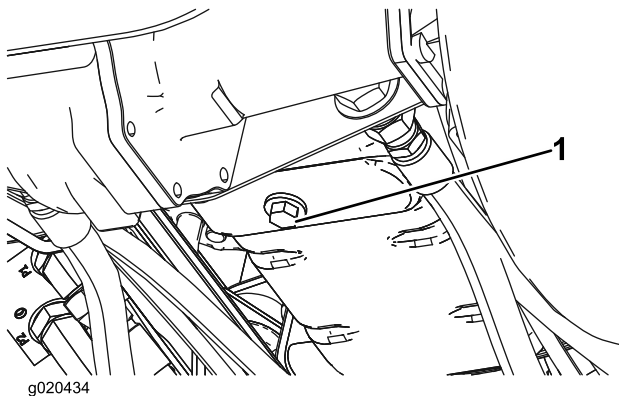


Figure 35

1. Oil-drain plug

2. Remove the oil filter ([Figure 36](#)).
3. Apply a light coat of clean oil to the new filter seal before screwing it on. Do not overtighten.

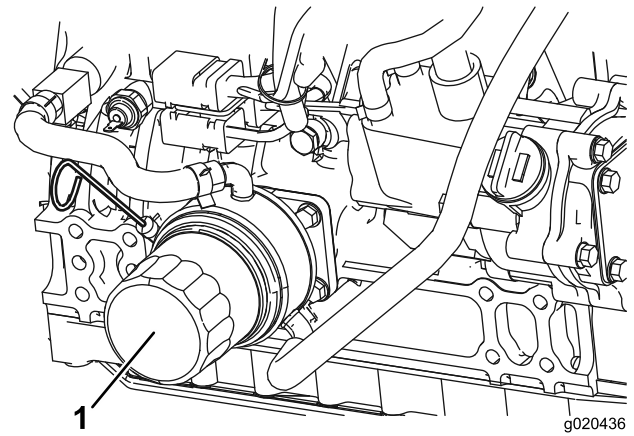


Figure 36

1. Oil filter

4. Add oil to the crankcase; refer to [Checking the Engine-Oil Level \(page 24\)](#).

Servicing the Diesel Particulate Filter (DPF)

Service Interval: When instructed by the Infocenter.

The DPF requires removal and professional cleaning after it has accumulated over 50 g/L of ash. The Infocenter will warn the operator in phases when this DPF maintenance is due. The first warning will occur when the ash accumulation reaches 48 g/L and will show an advisory (number 179) on the Infocenter. This advisory is meant to give your service department notice that your machine will soon need DPF cleaning maintenance. If you would like to know the current level of ash in any of your Toro Tier 4 products, you can find it by going to the Service menu of the Infocenter after entering the PIN. Reference “Using the InfoCenter LCD Display” for more information on accessing protected menus.

When the ash accumulation reaches 50 g/L, you will see an engine fault come up on the infocenter (SPN 3720, FMI 16) to alert the operator that the DPF needs cleaning. Also at the 50 g/L level, the engine will de-rate its power to 85%. At this time, the DPF needs to be removed and replaced with a clean DPF. A Yanmar diagnostic tool will need to be used to reset the engine ECU after a clean DPF is installed. Talk with your Toro Distributor and see your *Service Manual* for more details on the removal and installation of the DPF.

If the DPF is not cleaned at the 50 g/L level, the engine will continue to run at the de-rated 85% power level until the ash accumulation reaches 60 g/L. When the ash level reaches 60 g/L, the engine will send out a fault (SPN 3720, FMI 0) and the engine will de-rate to 50% power. At this time, the DPF is fully plugged and needs to be removed and replaced with a clean DPF. A Yanmar diagnostic tool will need to be used to reset the engine ECU after a clean DPF is installed.

For information on servicing the Diesel Particulate Filter (DPF), refer to the *Service Manual* or contact your Toro Distributor.

Servicing the Diesel Oxidation Catalyst (DOC)

Service Interval: Every 6,000 hours (or as required).

For information on servicing the Diesel Particulate Filter (DPF), refer to the *Service Manual* or contact your Toro Distributor.

Fuel System Maintenance

⚠ DANGER

Under certain conditions, diesel fuel and fuel vapors are highly flammable and explosive. A fire or explosion from fuel can burn you and others and can cause property damage.

- Use a funnel to fill the fuel tank outdoors, in an open area, when the engine is off and is cold. Wipe up any fuel that spills.
- Do not fill the fuel tank completely full. Add fuel to the fuel tank until the level is 6 to 13 mm (1/4 to 1/2 inch) below the bottom of the filler neck. This empty space in the tank allows the fuel to expand.
- Never smoke when handling fuel, and stay away from an open flame or where fuel fumes may be ignited by a spark.
- Store fuel in a clean, safety-approved container and keep the cap in place.

Draining the Fuel Tank

Service Interval: Every 800 hours—Drain and clean the fuel tank.

Before storage—Drain and clean the fuel tank.

Drain and clean the tank if fuel system becomes contaminated or if the machine will be stored for an extended period of time. Use clean fuel to flush out the tank.

Checking the Fuel Lines and Connections

Service Interval: Every 400 hours

Yearly

Inspect them for deterioration, damage, or loose connections.

Servicing the Water Separator

Service Interval: Before each use or daily—Drain water or other contaminants from fuel filter/water separator.

Every 400 hours—Replace the fuel filter canister.

1. Place a clean container under the fuel filter ([Figure 37](#)).
2. Loosen the drain plug on the bottom of the filter canister and open the vent on the top of the canister mount.

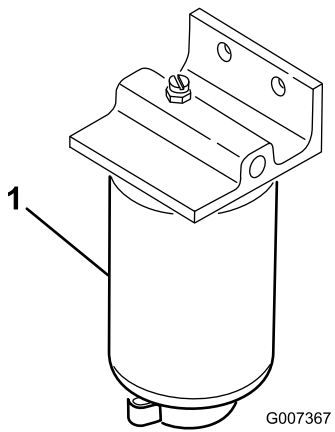


Figure 37

1. Water separator filter canister

3. Lubricate the filter gasket with clean lubricating engine oil; refer to the *Engine Operator's Manual*.
4. Install the dry filter canister, by hand, until the gasket contacts the filter head, then rotate it an additional 1/2 turn.
5. Start the engine and check for fuel leaks around the filter head.

3. Clean the area where the filter canister mounts.
4. Remove the filter canister and clean the mounting surface.
5. Lubricate the gasket on the filter canister with clean oil.
6. Install the filter canister by hand until the gasket contacts mounting surface and then rotate it an additional 1/2 turn.
7. Tighten the drain plug on the bottom of the filter canister and close the vent on the top of the canister mount.

Fuel Pick-up Tube Screen

The fuel pick up tube, located inside the fuel tank, is equipped with a screen to help prevent debris from entering the fuel system. Remove fuel pick up tube and clean screen as required.

Servicing the Fuel Filter

Service Interval: Every 400 hours—Replace the engine fuel filter.

1. Clean the area around the fuel-filter head (Figure 38).

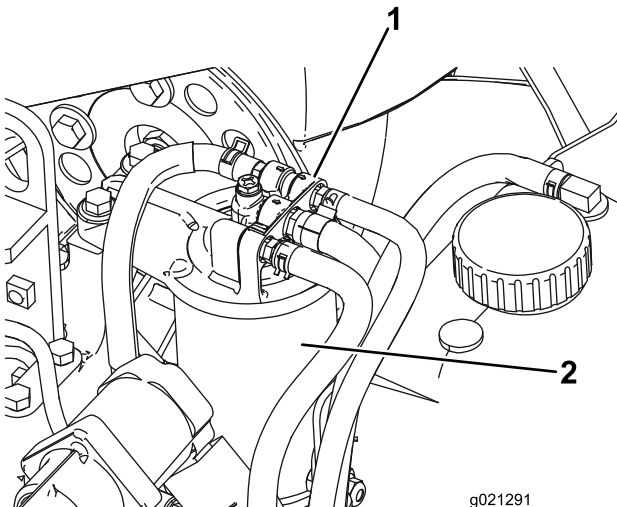


Figure 38

1. Fuel-filter head
2. Fuel filter

2. Remove the filter and clean the filter head mounting surface (Figure 38).

Electrical System Maintenance

Charging and Connecting the Battery

WARNING

CALIFORNIA Proposition 65 Warning

Battery posts, terminals, and related accessories contain lead and lead compounds, chemicals known to the State of California to cause cancer and reproductive harm. Wash hands after handling.

1. Unlatch and raise the operator's console panel (Figure 39).

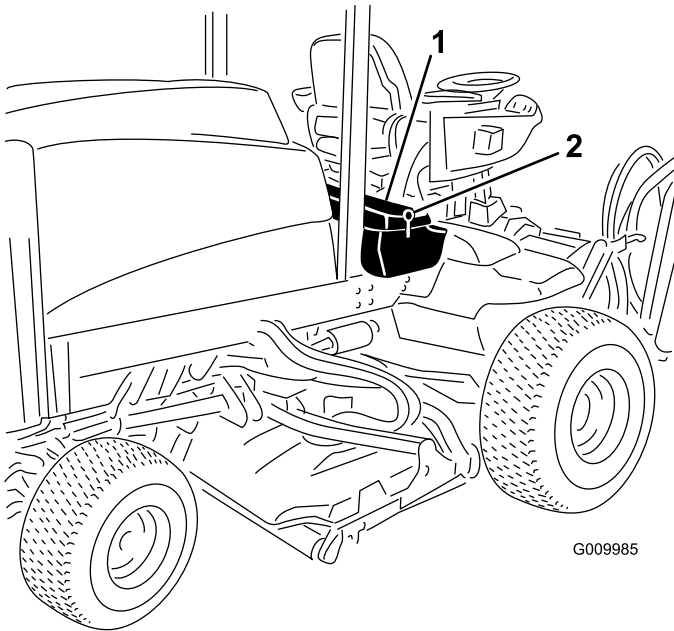


Figure 39

1. Operator's console panel
2. Latch

▲ DANGER

Battery electrolyte contains sulfuric acid which is a deadly poison and causes severe burns.

- Do not drink electrolyte and avoid contact with skin, eyes or clothing. Wear safety glasses to shield your eyes and rubber gloves to protect your hands.
 - Fill the battery where clean water is always available for flushing the skin.
2. Connect a 3 to 4 A battery charger to the battery posts. Charge the battery at a rate of 3 to 4 A for 4 to 8 hours.
 3. When the battery is charged, disconnect the charger from the power outlet and battery posts.

▲ WARNING

Charging the battery produces gasses that can explode.

Never smoke near the battery and keep sparks and flames away from battery.

4. Install the positive cable (red) to the positive (+) terminal and the negative cable (black) to the negative (-) terminal of the battery (Figure 40). Secure cables to posts with capscrews and nuts. Make sure that the positive (+) terminal is all of the way onto the post and the cable is positioned snug to the battery. The cable must not contact the battery cover. Slide the rubber boot over the positive terminal to prevent a possible short from occurring.

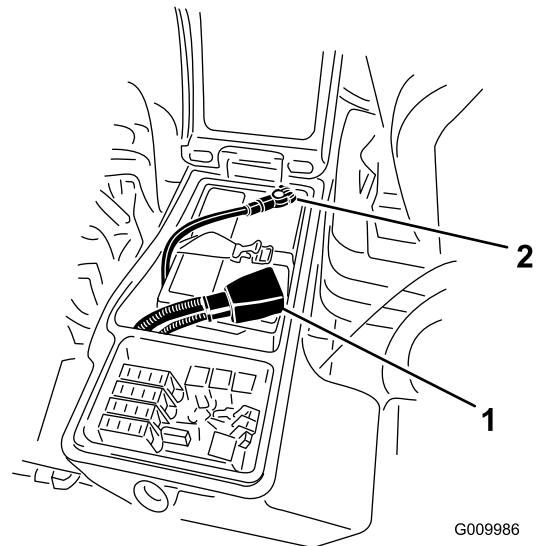


Figure 40

1. Positive battery cable
2. Negative battery cable

5. Secure the cables to the posts with capscrews and nuts.

Note: Make sure that the positive (+) terminal is all of the way onto the post and the cable is positioned snug to the battery. The cable must not contact the battery cover.

- Slide the rubber boot over the positive terminal to prevent a possible short from occurring.

WARNING

CALIFORNIA Proposition 65 Warning

Battery posts, terminals, and related accessories contain lead and lead compounds, chemicals known to the State of California to cause cancer and reproductive harm.

Wash hands after handling.

- Coat both battery connections with Grafo 112X (skin-over) grease, Part Number 505-47, petroleum jelly, or light grease to prevent corrosion. Slide the rubber boot over the positive terminal.
- Close the console panel and secure the latch.

⚠ WARNING

Battery terminals or metal tools could short against metal components causing sparks. Sparks can cause the battery gasses to explode, resulting in personal injury.

- When removing or installing the battery, do not allow the battery terminals to touch any metal parts of the machine.
- Do not allow metal tools to short between the battery terminals and metal parts of the machine.

⚠ WARNING

Incorrect battery cable routing could damage the machine and cables causing sparks. Sparks can cause the battery gasses to explode, resulting in personal injury.

- Always disconnect the negative (black) battery cable before disconnecting the positive (red) cable.
- Always connect the positive (red) battery cable before connecting the negative (black) cable.

Battery Care

Service Interval: Every 50 hours—Check the battery condition.

Important: Before welding on the machine, disconnect the negative (black) cable from the battery to prevent damage to the electrical system.

Note: Keep the terminals and the entire battery case clean to avoid slow discharge. To clean the battery, remove it from the machine and wash the entire case with a solution of baking soda and water. Rinse with clear water. Coat the battery posts and cable connectors with Grafo 112X (skin-over) grease (Part Number 505-47) or petroleum jelly to prevent corrosion.

Fuses

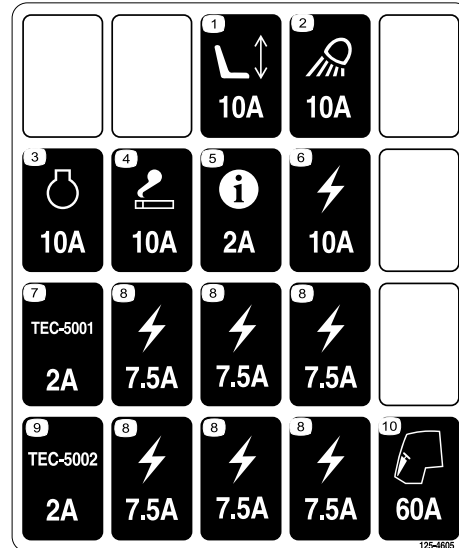
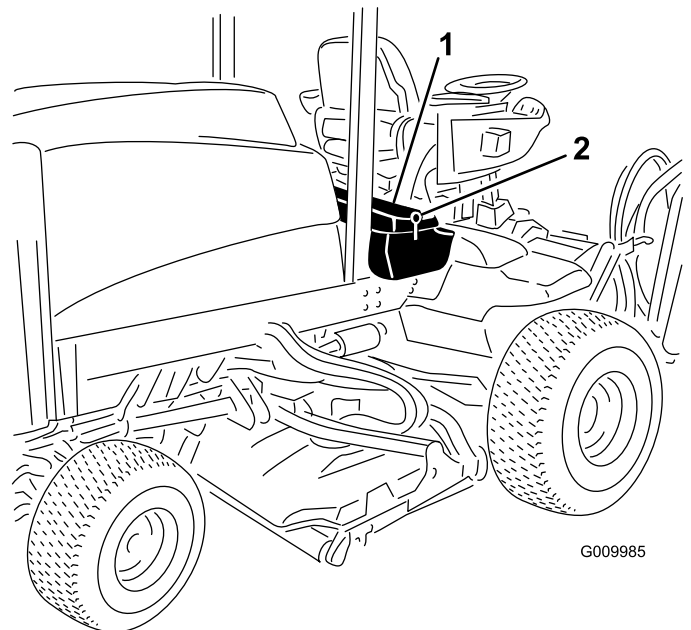


Figure 41

Unhook the latch and raise the operator's console panel (Figure 42) to expose the fuses (Figure 43).



G009985

Figure 42

- Latch
- Operator's console panel

Drive System Maintenance

Checking the Torque of the Wheel Nuts

Service Interval: After the first 8 hours

Every 200 hours

⚠ WARNING

Failure to maintain proper torque of the wheel nuts could result in failure or loss of wheel and may result in personal injury.

Torque the front and rear wheel nuts to 115 to 136 N-m (85-100 ft-lb) after 1 to 4 hours of operation and again after 8 hours of operation. Torque every 200 hours thereafter.

Note: Front wheel nuts are 1/2-20 UNF. Rear wheel nuts are M12 x 1.6-6H (Metric).

Checking the Planetary Gear Drive Oil

Service Interval: Every 400 hours

Use high quality SAE 85W-140 gear lube as a replacement.

1. Position the machine on a level surface and position the wheel so 1 check plug (Figure 44) is at the 12 o'clock position and the other is at 3 o'clock position.

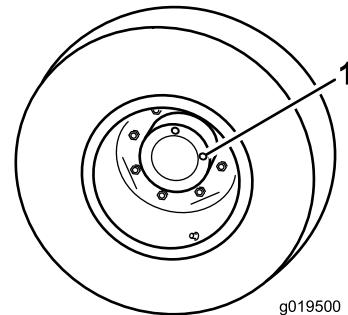


Figure 44

1. Check/drain plug (2)

2. Remove the plug at the 3 o'clock position (Figure 44).

Note: The oil level should be at the bottom of the check-plug hole.

3. If the oil level is low, remove the plug at the 12 o'clock position and add oil until it begins to flow out of the hole at the 3 o'clock position.
4. Install both plugs.

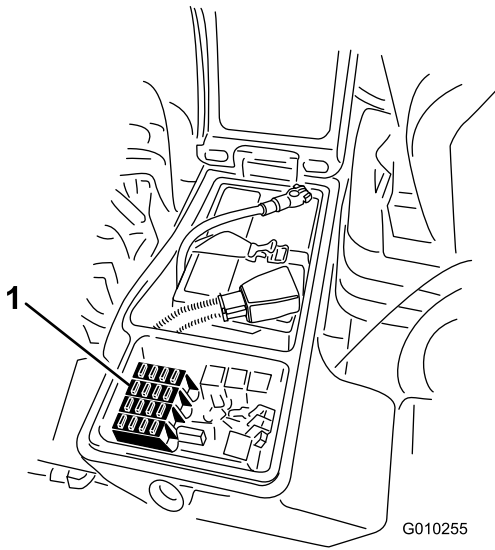


Figure 43

1. Fuses

- Repeat steps 1 through 4 on the opposite planetary gear assembly.

Changing the Planetary Gear Drive Oil

Service Interval: After the first 200 hours

Every 800 hours (Or yearly, whichever comes first)

Use a high quality SAE 85W-140 gear lube as replacement.

- Position the machine on a level surface and position a wheel so that 1 of the check plugs is at the lowest (6 o'clock) position ([Figure 45](#)).

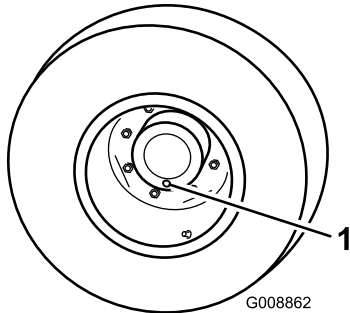


Figure 45

- Check/drain plug

- Place a drain pan under the planetary hub, remove the plug, and allow the oil to drain.
- Place a drain pan under the brake housing, remove the drain plug, and allow the oil to drain ([Figure 46](#)).

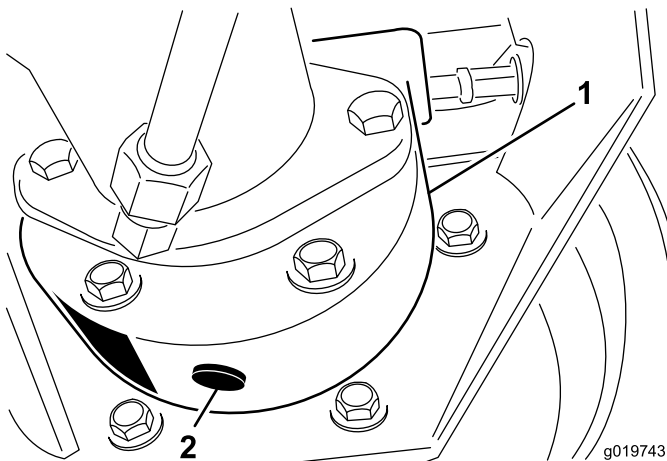


Figure 46

- Brake housing
- Drain plug

- When all of the oil has drained from both locations, install the plug in the brake housing.
- Rotate the wheel until the open plug hole, in the planetary, is at the twelve o'clock position.
- Through the open hole, slowly fill the planetary with 0.65 L (22 oz) of high quality SAE 85W-140 gear lube.

Important: If the planetary fills before the 0.65 L (22 oz) of oil is added, wait 1 hour or install the plug and move the machine approximately 3 m (10 ft) to distribute the oil through the brake system. Then, remove the plug and add the remaining oil.

- Install the plug.
- Repeat the procedure on the opposite planetary/brake assembly.

Checking the Rear Axle Lubricant

Service Interval: Every 400 hours

The rear axle is shipped from the factory filled with SAE 85W-140 gear lube. The capacity is 2.4 L (80 oz). Visually inspect for leaks daily.

- Position the machine on a level surface.
- Remove a check plug from 1 end of the axle ([Figure 47](#)) and make sure that the lubricant is up to the bottom of the hole.
- If the level is low, remove the fill plug ([Figure 47](#)) and add enough lubricant to bring the level up to the bottom of the check plug holes.

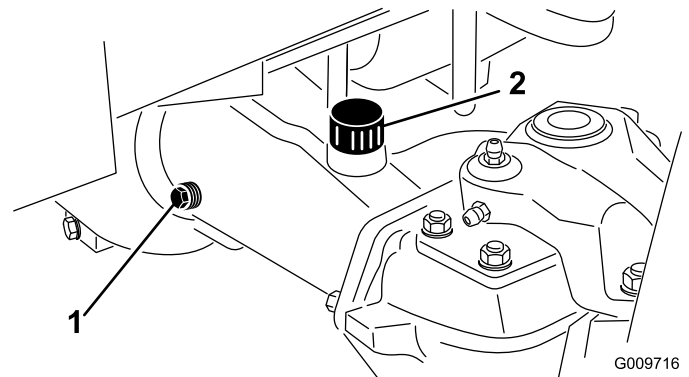


Figure 47

- Check plug
- Fill plug

Changing the Rear Axle Lubricant

Service Interval: After the first 200 hours

Every 800 hours

- Position the machine on a level surface.
- Clean the area around the 3 drain plugs, 1 on each end and 1 in the center ([Figure 48](#)).

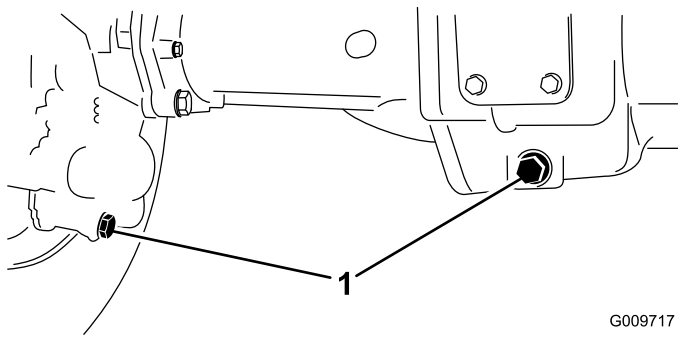


Figure 48

1. Drain-plug location

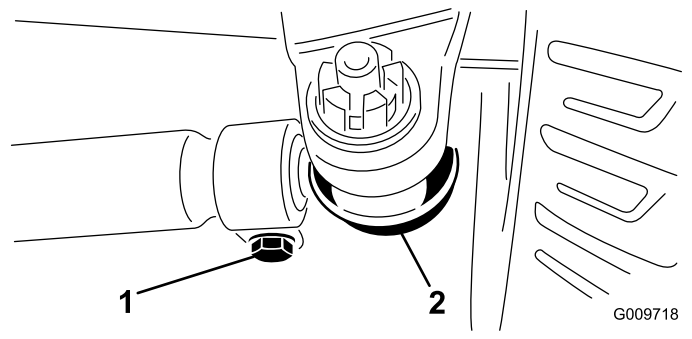


Figure 50

1. Tie-rod clamp
2. Tie-rod ball joint

3. Remove the 3 oil-level check plugs and main axle vent cap to ease in draining of the oil.
4. Remove the drain plugs and allow the oil to drain into the pans.
5. Install the plugs.
6. Remove a check plug and fill axle with approximately 2.4 L (80 oz) of 85W-140 gear lube or until lubricant reaches the bottom of the hole.
7. Install the check plug.

3. Loosen the clamps at both ends of the tie rods ([Figure 50](#)).
4. Rotate the detached ball joint inward or outward 1 complete revolution and tighten the clamp at the loose end of the tie rod.
5. Rotate the entire tie-rod assembly the same direction (inward or outward) 1 complete revolution and tighten the clamp at the connected end of the tie rod.
6. Install the ball joint in the axle-case support, tighten the nut finger-tight, and measure the toe-in.
7. Repeat procedure if necessary.
8. Tighten the nut and install a new cotter pin when the adjustment is correct.

Checking the Rear Wheel Toe-In

Service Interval: Every 800 hours/Yearly (whichever comes first)

1. Measure the center-to-center distance (at axle height) at the front and rear of the steering tires. The front measurement must be 3 mm (1/8 inch) less than the rear measurement ([Figure 49](#)).

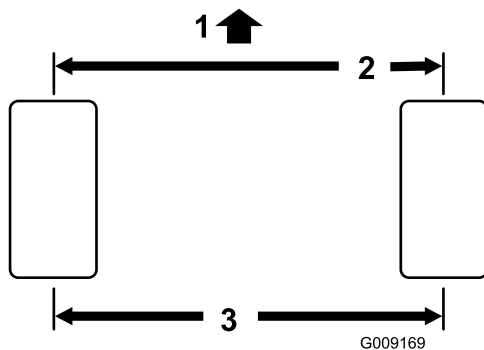


Figure 49

1. Front of traction unit
2. 1/8 inch less than rear of tire
3. Center to center distance

2. To adjust, remove the cotter pin and nut from either tie-rod ball joint ([Figure 50](#)) and remove the tie-rod ball joint from the axle-case support.

Cooling System Maintenance

Servicing the Engine Cooling System

Service Interval: Before each use or daily

Clean them more frequently in dirty conditions.

This machine is equipped with a hydraulically driven fan drive system that automatically (or manually) reverses to reduce oil cooler/radiator and screen debris buildup. While this feature can help reduce the time required to clean oil cooler/radiator, it does not eliminate the need for routine cleaning. Periodic cleaning and inspection of the radiator/cooler is still required.

1. Unlatch and swing open the rear screen (Figure 51).
2. Clean the screen thoroughly of all debris.

Note: To remove screen, lift off hinge pins.

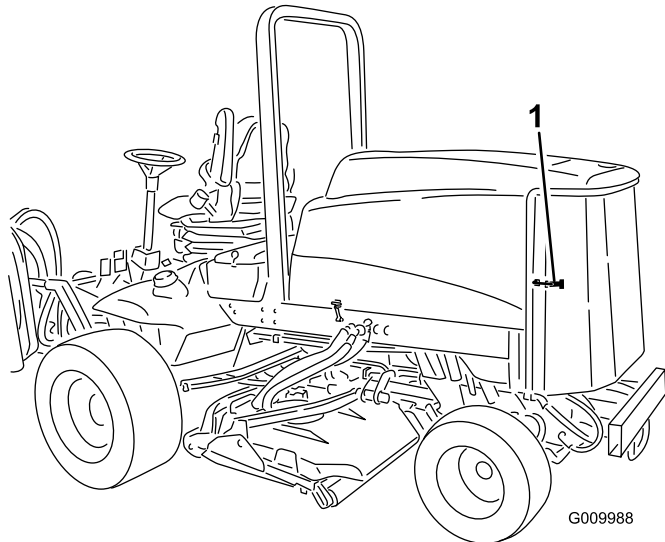


Figure 51

1. Rear-screen latch

3. Thoroughly clean both sides of the oil cooler and the radiator (Figure 52) with compressed air. Start from the front and blow the debris out towards the back. Then clean from the back side and blow towards the front. Repeat procedure several times until all chaff and debris is removed.

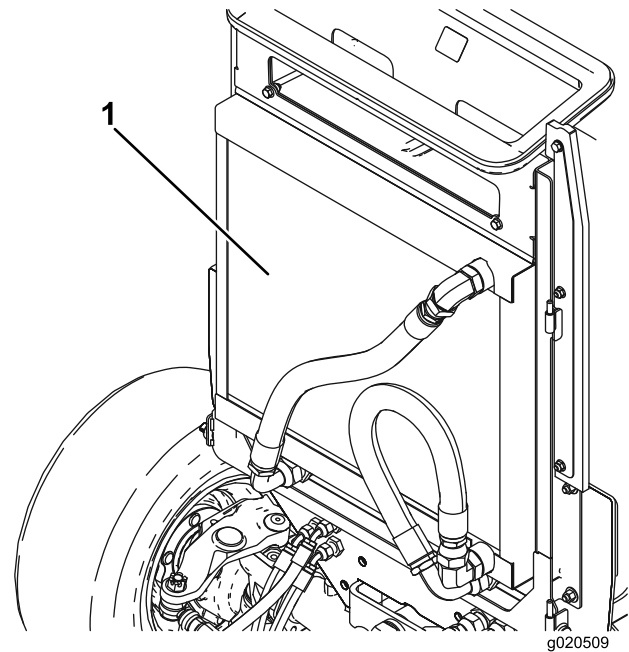


Figure 52

1. Oil cooler/radiator

Important: Cleaning the oil cooler/radiator with water promotes premature corrosion damage to components and compacts debris.

4. Close the rear screen and secure it with the latch.

Brake Maintenance

Adjusting the Service Brakes

Adjust the service brakes when there is more than 25 mm (1 inch) of free travel of the brake pedal or when the brakes do not work effectively. Free travel is the distance the brake pedal moves before braking resistance is felt.

1. Disengage the locking latch from the brake pedals so that both pedals work independently of each other.
2. To reduce free travel of the brake pedals, tighten the brakes:
 - A. Loosen the front nut on the threaded end of the brake cable (Figure 53).

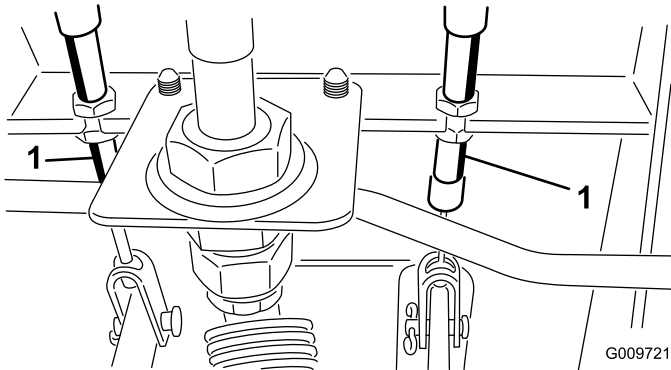


Figure 53

1. Brake cable

- B. Tighten the rear nut to move the cable backward until the brake pedals have 13 to 25 mm (1/2 to 1 inch) of free travel.
- C. Tighten the front nuts after the brakes are adjusted correctly.

Belt Maintenance

Servicing the Alternator Belt

Service Interval: Every 100 hours—Check the condition and tension of the alternator belt.

Note: The belt should deflect 10mm (3/8 inch). If the deflection is incorrect, proceed to step 2. If correct, continue operation.

1. Loosen the alternator mounting bolts (Figure 54).
2. Increase or decrease the alternator belt tension, tighten the bolts, and check the deflection of the belt again to ensure that the tension is correct.

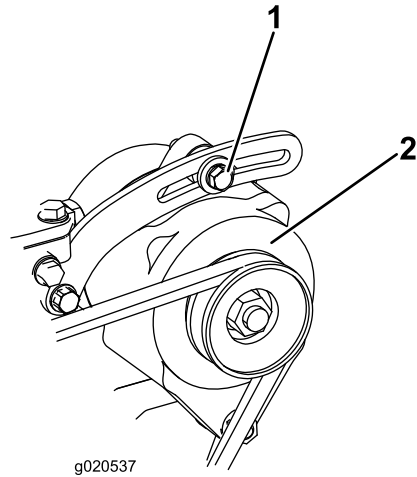


Figure 54

1. Mounting bolt

2. Alternator

Hydraulic System Maintenance

Changing the Hydraulic Fluid

Service Interval: Every 800 hours

If the fluid becomes contaminated, contact your Toro Distributor because the system must be flushed. Contaminated fluid looks milky or black when compared to clean oil.

1. Turn the key in the ignition switch to the OFF position and raise the hood.
2. Disconnect the hose from the bottom of the reservoir and let the hydraulic fluid flow into a large drain pan.
3. Install the hose when hydraulic fluid stop draining.
4. Fill the reservoir with approximately 28.4 L (7.50 US gallons) of hydraulic fluid; refer to [Checking the Hydraulic-Fluid Level](#) (page 27).

Important: Use only the hydraulic fluids specified. Other fluids could cause system damage.

5. Install the reservoir cap.
6. Start the engine, use all of the hydraulic controls to distribute hydraulic fluid throughout the system, and check for leaks.
7. Turn the key in the ignition switch to the OFF position.
8. Check the fluid level and add enough to raise level the level to the Full mark on the dipstick. **Do not overfill.**

Replacing the Hydraulic Filters

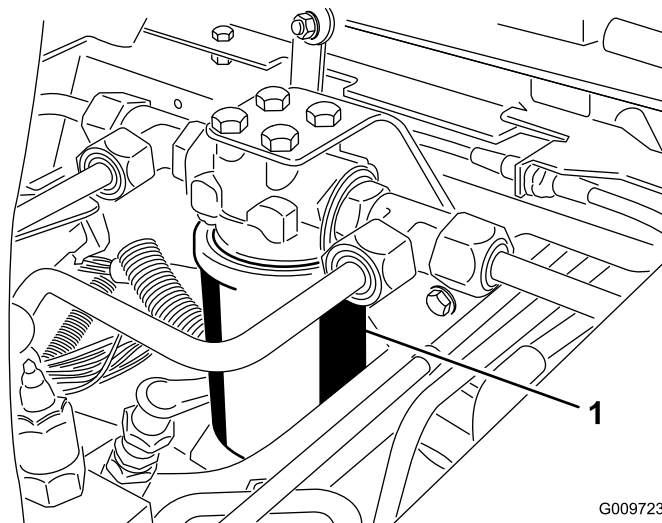
Service Interval: After the first 200 hours

Every 800 hours

Use Toro replacement filters Part Number 94-2621 for the rear (cutting unit) of the machine and Part Number 75-1310 for the front (charge) of the machine.

Important: The use of any other filter may void the warranty on some components.

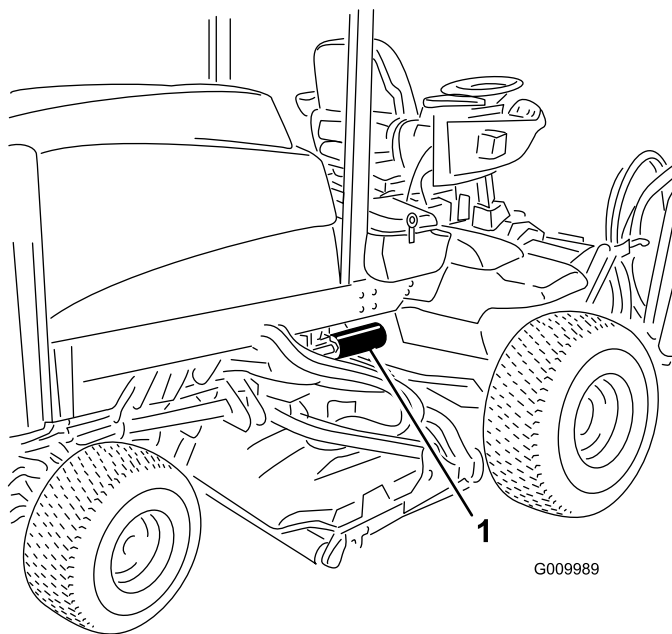
1. Position the machine on a level surface, lower the cutting units, turn the key in the ignition switch to the OFF position, engage the parking brakes, and remove the key.
2. Clean the area around the filter mounting area. Place a drain pan under the filter and remove the filter ([Figure 55](#) and [Figure 56](#)).
3. Lubricate the gasket on the new filter and fill the filter with hydraulic fluid.



G009723

Figure 55

1. Hydraulic filter



G009989

Figure 56

1. Hydraulic filter

4. Ensure that the filter mounting area is clean.
5. Screw the filter by hand until the gasket contacts the mounting plate and then tighten the filter an additional 1/2 turn.
6. Start the engine and let it run for about 2 minutes to purge air from the system.
7. Turn the key in the ignition switch to the OFF position and check for leaks.

Checking the Hydraulic Lines and Hoses

Service Interval: Before each use or daily

Inspect the hydraulic lines and hoses for leaks, kinked lines, loose mounting supports, wear, loose fittings, weather deterioration, and chemical deterioration. Make all necessary repairs before operating.

⚠ WARNING

Hydraulic fluid escaping under pressure can penetrate skin and cause injury.

- Make sure that all hydraulic-fluid hoses and lines are in good condition and all hydraulic connections and fittings are tight before applying pressure to the hydraulic system.
- Keep your body and hands away from pin-hole leaks or nozzles that eject high-pressure hydraulic fluid.
- Use cardboard or paper to find hydraulic leaks.
- Safely relieve all pressure in the hydraulic system before performing any work on the hydraulic system.
- Seek immediate medical attention if fluid is injected into skin.

Cutting Deck Maintenance

Separating the Cutting Decks from the Traction Unit

1. Position the machine on a level surface, lower the cutting decks to the floor, turn the key in the ignition switch to the OFF position, and engage the parking brake.
2. Disconnect and remove the hydraulic motor from the deck (Figure 57). Cover the top of the spindle to prevent contamination.

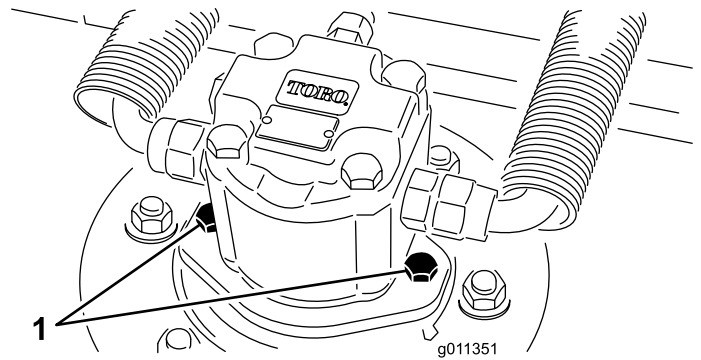


Figure 57

1. Motor-mounting screws

3. Remove the lynch pin or retaining nut (GM 4700 only) securing the deck carrier frame to the lift-arm pivot pin (Figure 58).

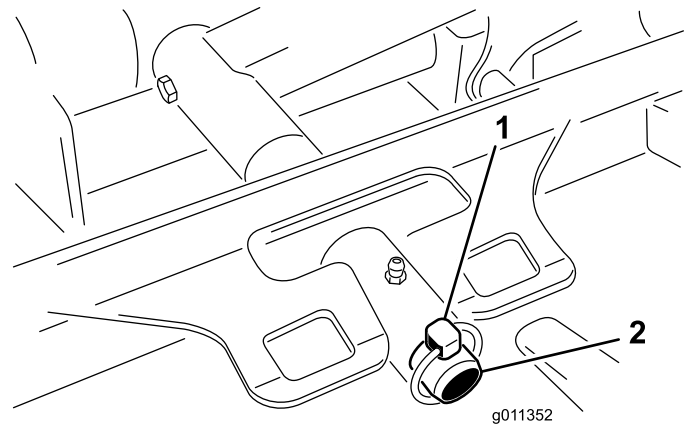


Figure 58

1. Lynch pin
2. Lift-arm pivot pin

4. Roll the cutting deck away from the traction unit.

Mounting the Cutting Decks to the Traction Unit

1. Position the machine on a level surface and turn the key in the ignition switch to the OFF position.
2. Move the cutting deck into position in front of the traction unit.
3. Slide the deck carrier frame onto the lift-arm pivot pin. Secure with lynch pin or retaining nut (GM 4700 only) (Figure 58).
4. Install the hydraulic motor to the deck (Figure 57). Make sure that the O-ring is in position and not damaged.
5. Grease the spindle.

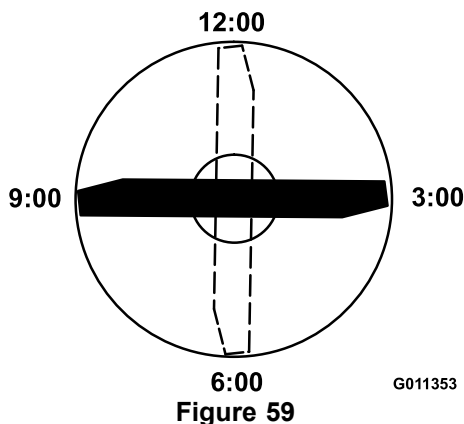
Servicing the Blade Plane

The rotary deck comes from the factory preset at 5 cm (2 inches) height of cut and blade rake of 7.9 mm (0.310 inch). The left and right heights are also preset to within ± 0.7 mm (0.030 inch) of the other.

The cutting deck is designed to withstand blade impacts without deformation of the chamber. If a solid object is struck, inspect the blade for damage and the blade plane for accuracy.

Inspecting the Blade Plane

1. Remove the hydraulic motor from the cutting deck and remove the cutting deck from the tractor.
2. Use a hoist (or minimum of 2 people) and place the cutting deck on a flat table.
3. Mark 1 end of the blade with a paint pen or marker. Use this end of the blade to check all heights.
4. Position the cutting edge of the marked end of the blade at 12 o'clock (straight ahead in the direction of mowing) (Figure 59) and measure height from table to cutting edge of blade.



5. Rotate the marked end of the blade to the 3 and 9 o'clock positions (Figure 59) and measure the heights.

6. Compare the 12 o'clock measured height to the height-of-cut setting. It should be within 0.7 mm (0.030 inch). The 3 and 9 o'clock heights should be 3.8 ± 2.2 mm (0.150 ± 0.090 inch) higher than the 12 o'clock setting and within 2.2 mm (0.090 inch) of each other.

If any of these measurements are not within specification, proceed to Adjusting the Blade Plane.

Adjusting the Blade Plane

Start with the front adjustment (change 1 bracket at a time).

1. Remove the height-of-cut bracket, (front, left, or right) from the deck frame (Figure 60).
2. Adjust 1.5 mm (0.060 inch) shims and/or 0.7 mm (0.030 inch) shim between the deck frame and bracket to achieve the desired height setting (Figure 60).

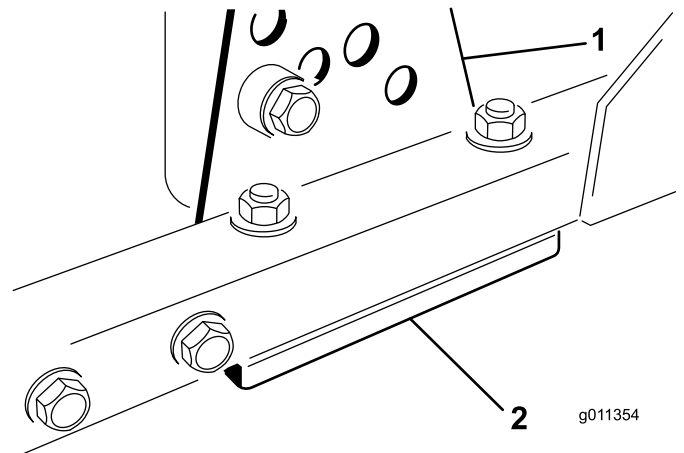


Figure 60

1. Height-of-cut bracket
2. Shims

3. Install the height-of-cut bracket to the deck frame with the remaining shims assembled below the height-of-cut bracket.
4. Secure the socket-head bolt/spacer and flange nut.

Note: Socket-head bolt/spacer are held together with thread-locking adhesive to prevent the spacer from falling inside the deck frame.

5. Verify the 12 o'clock height and adjust if needed.
6. Determine if only 1 or both (right and left) height-of-cut brackets need to be adjusted. If the 3 or 9 o'clock side is 3.8 ± 2.2 mm (0.150 ± 0.090 inch) higher than the new front height then no adjustment is needed for that side. Adjust the other side to within ± 2.2 mm (0.090 inch) of the correct side.
7. Adjust the right and/or left height-of-cut brackets by repeating steps 1 through 3.
8. Secure the carriage bolts and flange nuts.
9. Again, verify the 12, 3, and 9 o'clock heights.

Servicing the Cutter Blade

Removing the Cutter Blade

The blade must be replaced if a solid object is hit, the blade is out of balance, or if the blade is bent. Always use genuine Toro replacement blades to be sure of safety and optimum performance. Never use replacement blades made by other manufacturers because they could be dangerous.

1. Raise the cutting deck to the highest position, shut the engine off, and engage the parking brake. Block the cutting deck to prevent it from falling accidentally.
2. Grasp the end of the blade using a rag or thickly padded glove. Remove the blade bolt, anti-scalp cup, and blade from the spindle shaft (Figure 61).

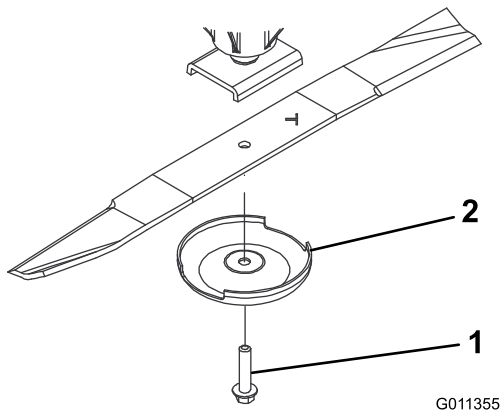


Figure 61

1. Blade bolt
2. Anti-scalp cup

3. Install the blade, sail facing toward the cutting deck, with the anti-scalp cup and blade bolt (Figure 61). Torque the blade bolt to 115 to 149 N·m (85 to 110 ft·lb).

⚠ DANGER

A worn or damaged blade can break, and a piece of the blade could be thrown into the operator's or bystander's area, resulting in serious personal injury or death

- Inspect the blade periodically for wear or damage.
- Never weld a broken or cracked blade.
- Always replace a worn or damaged blade.

Inspecting and Sharpening the Blade

1. Raise the cutting deck to the highest position, turn the key in the ignition switch to the OFF position, and engage the parking brake.
2. Block the cutting deck to prevent it from falling accidentally.

3. Examine the cutting ends of the blade carefully, especially where the flat and curved parts of the blade meet (Figure 62).
4. Since sand and abrasive material can wear away the metal that connects the flat and curved parts of the blade, check the blade before using the machine. If wear is noticed (Figure 62), replace the blade; refer to [Removing the Cutter Blade](#) (page 53).

⚠ DANGER

If the blade is allowed to wear, a slot will form between the sail and flat part of the blade (Figure 62). Eventually a piece of the blade may break off and be thrown from under the housing, possibly resulting in serious injury to yourself or bystanders.

- Inspect the blade periodically for wear or damage.
- Always replace a worn or damaged blade.

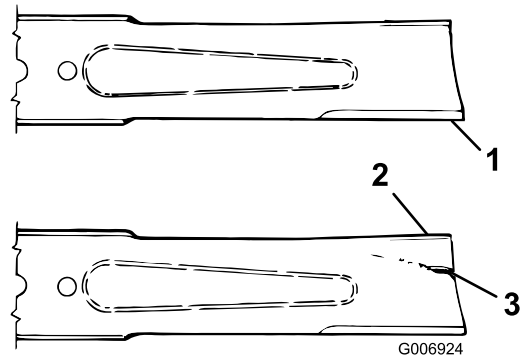


Figure 62

1. Cutting edge
2. Sail
3. Wear/slot/crack

5. Inspect the cutting edges of all blades. Sharpen the cutting edges if they are dull or nicked. Sharpen only the top of the cutting edge and maintain the original cutting angle to make sure of sharpness (Figure 63).

Note: The blade will remain balanced if the same amount of metal is removed from both cutting edges.

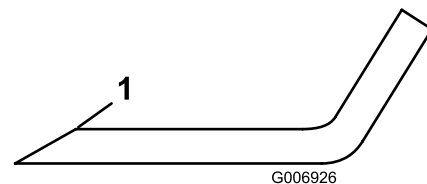


Figure 63

1. Sharpen at this angle only

6. To check if the blade is straight and parallel, lay the blade on a level surface and check its ends.

Note: The ends of the blade must be slightly lower than the center, and the cutting edge must be lower than the heel of the blade. This blade will produce good quality of cut and require minimal power from the engine. By contrast a blade that is higher at the ends than the center, or if cutting edge is higher than the heel, the blade is bent or warped and must be replaced.

7. Install the blade, sail facing toward cutting deck, with the anti-scalp cup and blade bolt. Torque the blade bolt to 115 to 149 N-m (85 to 110 ft-lb).

Checking the Blade Stopping Time

Service Interval: Before each use or daily

The blades of the cutting deck should come to a complete stop in approximately 5 seconds after you shut down the cutting-deck-engagement switch.

Note: Make sure the decks are lowered onto a clean section of turf or hard surface to avoid thrown dust and debris.

1. Have a second person stand back from the deck at least 6 m (20 ft) and watch the blades on 1 of the cutting decks.
2. Shut the cutting decks down and record the time it takes for the blades to come to a complete stop.

Note: If this time is greater than 7 seconds, the braking valve needs adjustment. Call your Toro Distributor for assistance in making this adjustment

To verify this stopping time, have a second person stand back from the deck at least 6 m (20 feet) and watch the blades on one of the cutting decks. Have the operator shut the cutting decks down and record the time it takes for the blades to come to a complete stop. If this time is greater than 7 seconds, the braking valve needs adjustment. Call your Toro Distributor for assistance in making this adjustment.

Servicing the Front Roller

Inspect the front roller for wear, excess wobble, or binding. Service or replace the roller or components if any of these conditions exist.

Disassembling the Front Roller

1. Remove the roller mounting bolt (Figure 64).
2. Insert a punch through the end of the roller housing and drive the opposite bearing out by alternating taps to the opposite side of inner bearing race.

Note: There should be a 1.5 mm (0.060 inch) lip of inner race exposed.

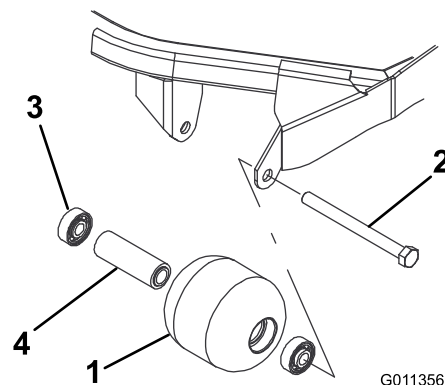


Figure 64

G011356

- | | |
|------------------|-------------------|
| 1. Front roller | 3. Bearing |
| 2. Mounting bolt | 4. Bearing spacer |

3. Push the second bearing out in press.
4. Inspect the roller housing, bearings, and bearing spacer for damage (Figure 64). Replace damaged components and assemble.

Assembling the Front Roller

1. Press the first bearing into the roller housing (Figure 64). Press on the outer race only or equally on the inner and outer race.
2. Insert the spacer (Figure 64).
3. Press the second bearing into the roller housing (Figure 64) by pressing equally on the inner and outer race until the inner race comes in contact with the spacer.
4. Install the roller assembly into the deck frame.
5. Verify that there is no more than a 1.5 mm (0.060 inch) gap between roller assembly and the roller mount brackets of the deck frame. If there is a gap over 1.5 mm (0.060 inch), install enough 5/8 inch diameter washers to take up the slop.

Important: Securing the roller assembly with a gap larger than 1.5 mm (0.060 inch) creates a side load on the bearing and can lead to premature bearing failure

6. Torque the mounting bolt to 108 N-m (80 ft-lb).

Storage

Preparing the Traction Unit

1. Thoroughly clean the traction unit, cutting units, and the engine.
2. Check the tire pressure; refer to [Checking the Tire Pressure \(page 27\)](#).
3. Check all fasteners for looseness and tighten them as necessary.
4. Grease all grease fittings and pivot points. Wipe up any excess lubricant.
5. Lightly sand and use touch-up paint on painted areas that are scratched, chipped, or rusted. Repair any dents in the metal body.
6. Service the battery and cables as follows:
 - A. Remove the battery terminals from the battery posts.
 - B. Clean the battery, terminals, and posts with a wire brush and baking soda solution.
 - C. Coat the cable terminals and battery posts with Grafo 112X skin-over grease (Part Number 505-47) or petroleum jelly to prevent corrosion.
 - D. Slowly recharge the battery every 60 days for 24 hours to prevent lead sulfation of the battery.
7. Engage the transport latches (Groundsmaster 4700–D only).

Preparing the Engine

1. Drain the engine oil from the oil pan and install the drain plug.
2. Remove and discard the oil filter. Install a new oil filter.
3. Refill the oil pan with 5.7 L (6 US qt) of SAE 15W-40 CH-4, CI-4, higher motor oil.
4. Start the engine and run it at idle speed for approximately 2 minutes.
5. Stop the engine.
6. Flush the fuel tank with fresh, clean diesel fuel.
7. Secure all of the fuel system fittings.
8. Thoroughly clean and service the air cleaner assembly.
9. Seal the air cleaner inlet and the exhaust outlet with weatherproof tape.
10. Check the anti freeze protection and add a 50/50 solution of water and ethylene glycol anti-freeze as needed for the expected minimum temperature in your area.

Cutting Deck

If the cutting deck is separated from the traction unit for any length of time, install a spindle plug in the top of the spindle to protect the spindle from dust and water.

Notes:

Notes:

Notes:

International Distributor List

Distributor:	Country:	Phone Number:	Distributor:	Country:	Phone Number:
Agrolanc Kft	Hungary	36 27 539 640	Maquiver S.A.	Colombia	57 1 236 4079
Asian American Industrial (AAI)	Hong Kong	852 2497 7804	Maruyama Mfg. Co. Inc.	Japan	81 3 3252 2285
B-Ray Corporation	Korea	82 32 551 2076	Mountfield a.s.	Czech Republic	420 255 704 220
Brisa Goods LLC	Mexico	1 210 495 2417	Mountfield a.s.	Slovakia	420 255 704 220
Casco Sales Company	Puerto Rico	787 788 8383	Munditol S.A.	Argentina	54 11 4 821 9999
Ceres S.A.	Costa Rica	506 239 1138	Norma Garden	Russia	7 495 411 61 20
CSSC Turf Equipment (pvt) Ltd.	Sri Lanka	94 11 2746100	Oslinger Turf Equipment SA	Ecuador	593 4 239 6970
Cyril Johnston & Co.	Northern Ireland	44 2890 813 121	Oy Hako Ground and Garden Ab	Finland	358 987 00733
Cyril Johnston & Co.	Republic of Ireland	44 2890 813 121	Parkland Products Ltd.	New Zealand	64 3 34 93760
Fat Dragon	China	886 10 80841322	Perfetto	Poland	48 61 8 208 416
Femco S.A.	Guatemala	502 442 3277	Pratoverde SRL.	Italy	39 049 9128 128
FIVEMANS New-Tech Co., Ltd	China	86-10-6381 6136	Prochaska & Cie	Austria	43 1 278 5100
ForGarder OU	Estonia	372 384 6060	RT Cohen 2004 Ltd.	Israel	972 986 17979
G.Y.K. Company Ltd.	Japan	81 726 325 861	Riversa	Spain	34 9 52 83 7500
Geomechaniki of Athens	Greece	30 10 935 0054	Lely Turfcare	Denmark	45 66 109 200
Golf international Turizm	Turkey	90 216 336 5993	Lely (U.K.) Limited	United Kingdom	44 1480 226 800
Hako Ground and Garden	Sweden	46 35 10 0000	Solvart S.A.S.	France	33 1 30 81 77 00
Hako Ground and Garden	Norway	47 22 90 7760	Spypros Stavrinides Limited	Cyprus	357 22 434131
Hayter Limited (U.K.)	United Kingdom	44 1279 723 444	Surge Systems India Limited	India	91 1 292299901
Hydroturf Int. Co Dubai	United Arab Emirates	97 14 347 9479	T-Markt Logistics Ltd.	Hungary	36 26 525 500
Hydroturf Egypt LLC	Egypt	202 519 4308	Toro Australia	Australia	61 3 9580 7355
Irrimac	Portugal	351 21 238 8260	Toro Europe NV	Belgium	32 14 562 960
Irrigation Products Int'l Pvt Ltd.	India	0091 44 2449 4387	Valtech	Morocco	212 5 3766 3636
Jean Heybroek b.v.	Netherlands	31 30 639 4611	Victus Emak	Poland	48 61 823 8369

European Privacy Notice

The Information Toro Collects

Toro Warranty Company (Toro) respects your privacy. In order to process your warranty claim and contact you in the event of a product recall, we ask you to share certain personal information with us, either directly or through your local Toro company or dealer.

The Toro warranty system is hosted on servers located within the United States where privacy law may not provide the same protection as applies in your country.

BY SHARING YOUR PERSONAL INFORMATION WITH US, YOU ARE CONSENTING TO THE PROCESSING OF YOUR PERSONAL INFORMATION AS DESCRIBED IN THIS PRIVACY NOTICE.

The Way Toro Uses Information

Toro may use your personal information to process warranty claims, to contact you in the event of a product recall and for any other purpose which we tell you about. Toro may share your information with Toro's affiliates, dealers or other business partners in connection with any of these activities. We will not sell your personal information to any other company. We reserve the right to disclose personal information in order to comply with applicable laws and with requests by the appropriate authorities, to operate our systems properly or for our own protection or that of other users.

Retention of your Personal Information

We will keep your personal information as long as we need it for the purposes for which it was originally collected or for other legitimate purposes (such as regulatory compliance), or as required by applicable law.

Toro's Commitment to Security of Your Personal Information

We take reasonable precautions in order to protect the security of your personal information. We also take steps to maintain the accuracy and current status of personal information.

Access and Correction of your Personal Information

If you would like to review or correct your personal information, please contact us by email at legal@toro.com.

Australian Consumer Law

Australian customers will find details relating to the Australian Consumer Law either inside the box or at your local Toro Dealer.



The Toro Total Coverage Guarantee

A Limited Warranty

Conditions and Products Covered

The Toro Company and its affiliate, Toro Warranty Company, pursuant to an agreement between them, jointly warrant your Toro Commercial product ("Product") to be free from defects in materials or workmanship for two years or 1500 operational hours*, whichever occurs first. This warranty is applicable to all products with the exception of Aerators (refer to separate warranty statements for these products). Where a warrantable condition exists, we will repair the Product at no cost to you including diagnostics, labor, parts, and transportation. This warranty begins on the date the Product is delivered to the original retail purchaser.

* Product equipped with an hour meter.

Instructions for Obtaining Warranty Service

You are responsible for notifying the Commercial Products Distributor or Authorized Commercial Products Dealer from whom you purchased the Product as soon as you believe a warrantable condition exists. If you need help locating a Commercial Products Distributor or Authorized Dealer, or if you have questions regarding your warranty rights or responsibilities, you may contact us at:

Toro Commercial Products Service Department
Toro Warranty Company
8111 Lyndale Avenue South
Bloomington, MN 55420-1196
952-888-8801 or 800-952-2740
E-mail: commercial.warranty@toro.com

Owner Responsibilities

As the Product owner, you are responsible for required maintenance and adjustments stated in your *Operator's Manual*. Failure to perform required maintenance and adjustments can be grounds for disallowing a warranty claim.

Items and Conditions Not Covered

Not all product failures or malfunctions that occur during the warranty period are defects in materials or workmanship. This warranty does not cover the following:

- Product failures which result from the use of non-Toro replacement parts, or from installation and use of add-on, or modified non-Toro branded accessories and products. A separate warranty may be provided by the manufacturer of these items.
- Product failures which result from failure to perform recommended maintenance and/or adjustments. Failure to properly maintain your Toro product per the Recommended Maintenance listed in the *Operator's Manual* can result in claims for warranty being denied.
- Product failures which result from operating the Product in an abusive, negligent, or reckless manner.
- Parts subject to consumption through use unless found to be defective. Examples of parts which are consumed, or used up, during normal Product operation include, but are not limited to, brake pads and linings, clutch linings, blades, reels, rollers and bearings (sealed or greasable), bed knives, spark plugs, castor wheels and bearings, tires, filters, belts, and certain sprayer components such as diaphragms, nozzles, and check valves, etc.
- Failures caused by outside influence. Conditions considered to be outside influence include, but are not limited to, weather, storage practices, contamination, use of unapproved fuels, coolants, lubricants, additives, fertilizers, water, or chemicals, etc.
- Failure or performance issues due to the use of fuels (e.g. gasoline, diesel, or biodiesel) that do not conform to their respective industry standards.

Countries Other than the United States or Canada

Customers who have purchased Toro products exported from the United States or Canada should contact their Toro Distributor (Dealer) to obtain guarantee policies for your country, province, or state. If for any reason you are dissatisfied with your Distributor's service or have difficulty obtaining guarantee information, contact the Toro importer.

- Normal noise, vibration, wear and tear, and deterioration.
- Normal "wear and tear" includes, but is not limited to, damage to seats due to wear or abrasion, worn painted surfaces, scratched decals or windows, etc.

Parts

Parts scheduled for replacement as required maintenance are warranted for the period of time up to the scheduled replacement time for that part. Parts replaced under this warranty are covered for the duration of the original product warranty and become the property of Toro. Toro will make the final decision whether to repair any existing part or assembly or replace it. Toro may use remanufactured parts for warranty repairs.

Deep Cycle and Lithium-Ion Battery Warranty:

Deep cycle and Lithium-Ion batteries have a specified total number of kilowatt-hours they can deliver during their lifetime. Operating, recharging, and maintenance techniques can extend or reduce total battery life. As the batteries in this product are consumed, the amount of useful work between charging intervals will slowly decrease until the battery is completely worn out. Replacement of worn out batteries, due to normal consumption, is the responsibility of the product owner. Battery replacement may be required during the normal product warranty period at owner's expense. Note: (Lithium-Ion battery only): A Lithium-Ion battery has a part only prorated warranty beginning year 3 through year 5 based on the time in service and kilowatt hours used. Refer to the *Operator's Manual* for additional information.

Maintenance is at Owner's Expense

Engine tune-up, lubrication, cleaning and polishing, replacement of filters, coolant, and completing recommended maintenance are some of the normal services Toro products require that are at the owner's expense.

General Conditions

Repair by an Authorized Toro Distributor or Dealer is your sole remedy under this warranty.

Neither The Toro Company nor Toro Warranty Company is liable for indirect, incidental or consequential damages in connection with the use of the Toro Products covered by this warranty, including any cost or expense of providing substitute equipment or service during reasonable periods of malfunction or non-use pending completion of repairs under this warranty. Except for the Emissions warranty referenced below, if applicable, there is no other express warranty. All implied warranties of merchantability and fitness for use are limited to the duration of this express warranty.

Some states do not allow exclusions of incidental or consequential damages, or limitations on how long an implied warranty lasts, so the above exclusions and limitations may not apply to you. This warranty gives you specific legal rights, and you may also have other rights which vary from state to state.

Note regarding engine warranty:

The Emissions Control System on your Product may be covered by a separate warranty meeting requirements established by the U.S. Environmental Protection Agency (EPA) and/or the California Air Resources Board (CARB). The hour limitations set forth above do not apply to the Emissions Control System Warranty. Refer to the Engine Emission Control Warranty Statement supplied with your product or contained in the engine manufacturer's documentation for details